



**PHOENIX MECANO**

# **Build-A-Box<sup>®</sup> Custom**

**0701,0702,0703,0710,0711  
Extrusion-based Enclosure System**

**For Value-Added Services, Product Support, or to Order  
Call: 1-301-696-9800**



- Aluminum electronic enclosure for telecommunication and Measurement Control technology
- Value-added services available—profile cutting, machining, painting, powdercoating, screenprinting, assembly
- Screw-down fins integrated into sides
- Different lid versions depending on enclosure type
- Integrated guide grooves for PCBs

### Technical data

#### Material

DIN EN 573 EN AW-AMgSi

#### Ingress protection

IP 65 or IP 40 to EN 60529  
depending on lid versions

#### Lids

Plate aluminum—painted jet black or unpainted  
Diecast aluminum—painted jet black or unpainted

#### Color

Lids—RAL 9005, jet black (see note above)  
Extrusion—bare aluminum (custom painting on request)

#### Temperature range






-30°C to +80°C

#### Note

Aluminum Extrusions are sold in meter lengths, which allows for custom sizing

## Build-A-Box® Custom (0701, 0702, 0703, 0710, 0711)

### Program Range

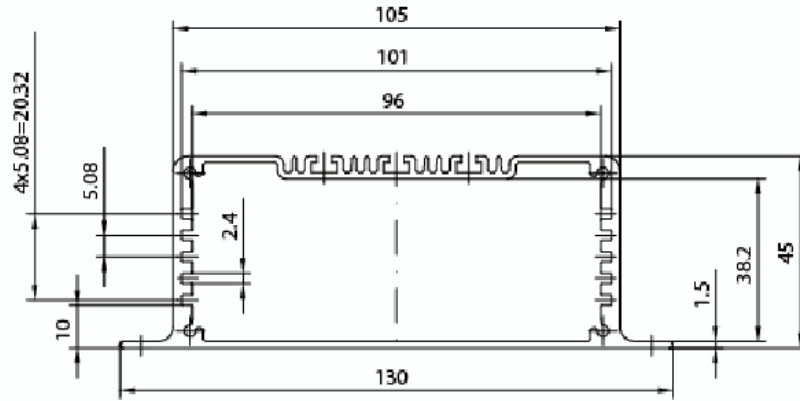
Type	External enclosure dimensions* W x H (mm)	Available Lid Types (not included)	Ingress protection	max. width (mm) PCB dimensions
07.01 	105 x 45	Sheet aluminum lids without seal	IP 40	100
07.02 	105 x 69	Sheet aluminum lids without seal	IP 40	100
07.03 	196/166 x 106 196/166 x 106	Cast aluminum lids with seal Sheet aluminum lid without seal	IP 65 IP 40	100/160 100/160
07.10 	105 x 73.5	Cast aluminum lid with seal	IP 65	100
07.11 	105 x 49	Cast aluminum lids with seal	IP 65	100

\* Dimensions without mounting brackets

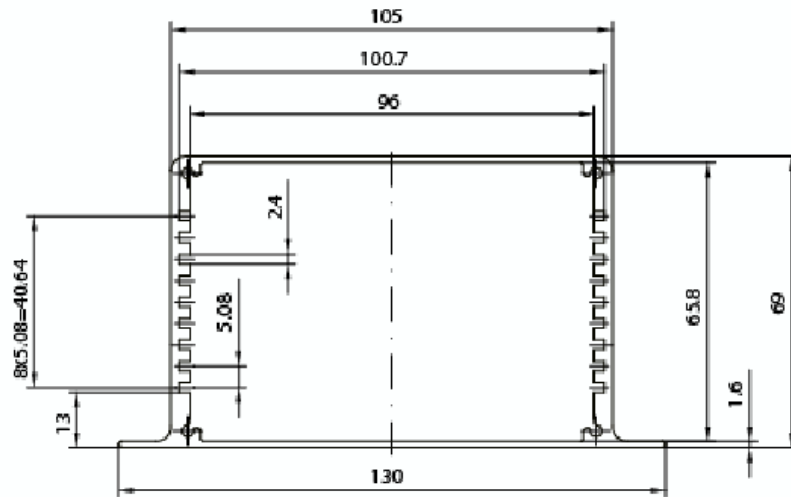
Dimensions

Version IP 40

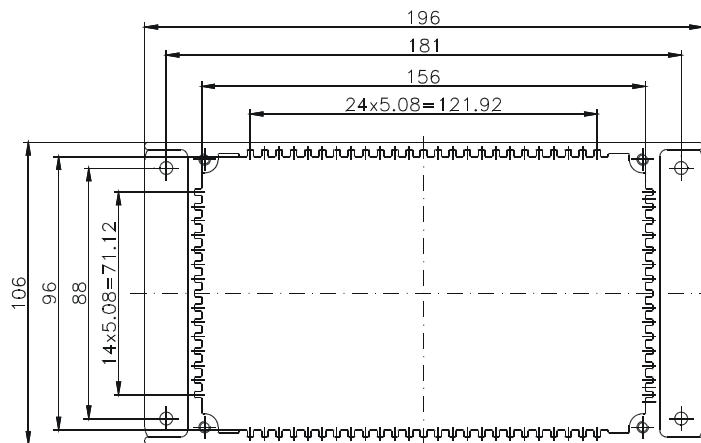
Type 07.01



Type 07.02



Type 07.03

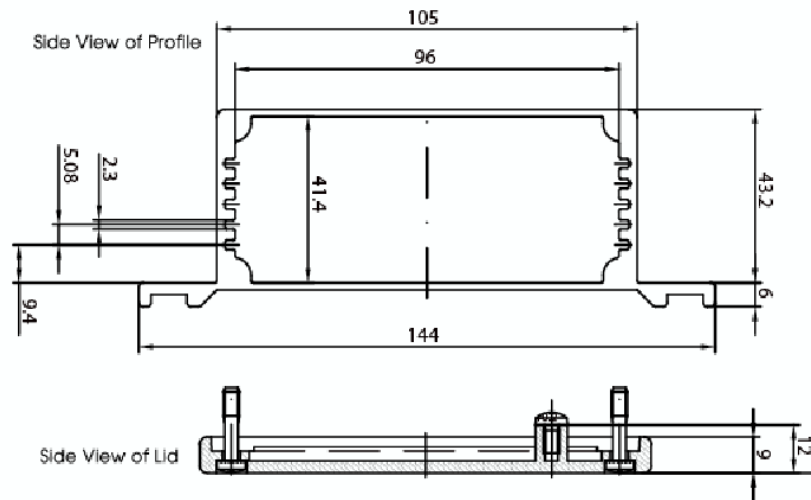


# Build-A-Box® Custom (0701, 0702, 0703, 0710, 0711)

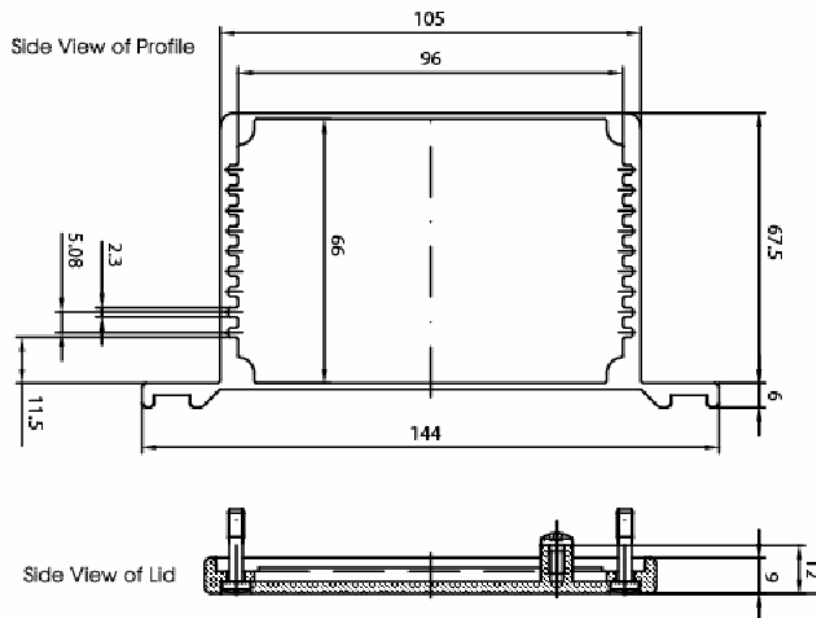
## Dimensions

Version IP 65

Type 07.11



Type 07.10



# Mouser Electronics

Authorized Distributor

Click to View Pricing, Inventory, Delivery & Lifecycle Information:

[Phoenix Mecano:](#)

[001102308](#) [07021000PAH24219](#) [001100308](#) [001102408UH25144](#) [0701100000PAH2402](#)