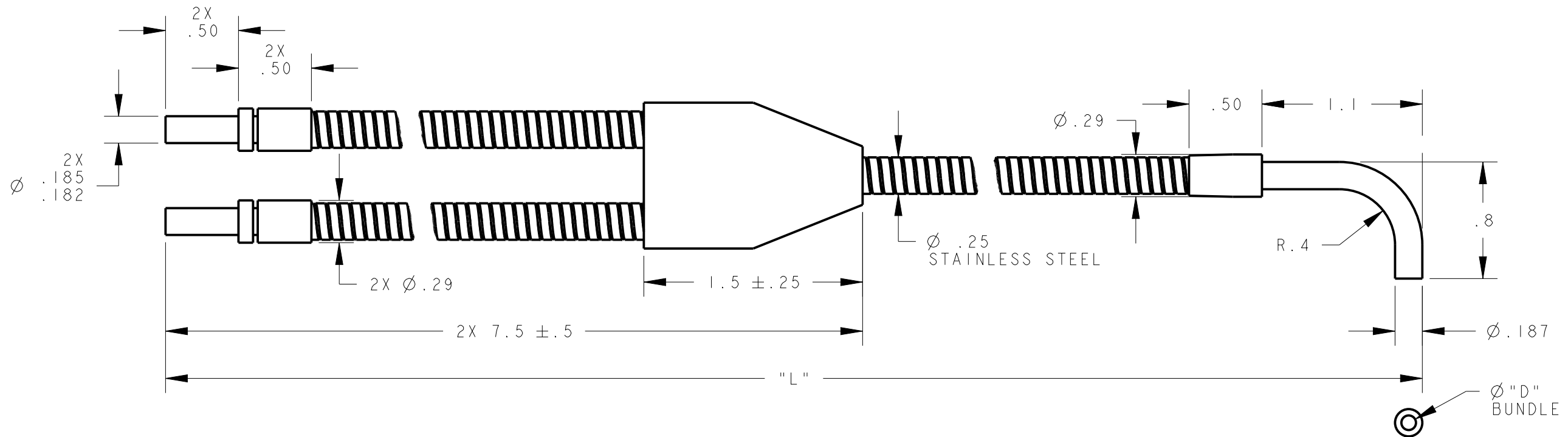
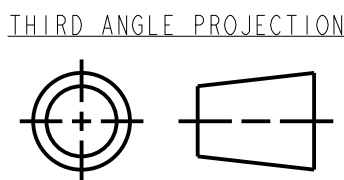


8				7				6				5				4				3				2				1											
MODEL NO.	"L"	"D"	P/N	MODEL NO.	"L"	"D"	P/N	MODEL NO.	"L"	"D"	P/N	MODEL NO.	"L"	"D"	P/N	MODEL NO.	"L"	"D"	P/N	MODEL NO.	"L"	"D"	P/N	MODEL NO.	"L"	"D"	P/N	MODEL NO.	"L"	"D"	P/N								
BA215S	180	.125	20801	BA212S	144	.125	24867	BA21.3S	16	.125	22432	BA.753S	36	.046	20930	BA11.5S	18	.062	20042	BA13S	36	.062	17201	BA21.2S	14	.125	17203	BA21.5S	18	.125	20524	BA23S	36	.125	17210	BA210S	120	.125	20761



NOTES:  
 1. ALL DIMENSIONS ARE MILLIMETERS [INCHES] UNLESS OTHERWISE NOTED.  
 2. REFER TO "www.bannerengineering.com" FOR ADDITIONAL DATA AND SPECIFICATIONS.

This drawing is the property of BANNER ENGINEERING CORP. Any use or reproduction, in any form, without prior written permission of Banner is prohibited. © 2015 Banner Engineering Corp.



**BANNER** BANNER ENGINEERING CORP.  
 www.bannerengineering.com

TITLE  
**BA2 SERIES SS TERMINATED**

SIZE B DRAWING NO. **161919** REV. **A**

SCALE 5:4 SHEET 1 OF 2

8	7	6	5
MODEL NO.	"L"	"D"	P/N
BA225S	300	.125	00000
BA24.4SMSS1	53	.125	20624
BA2.23S	36	.135	00000
BA2.24S	48	.135	00000
BA2.25S	60	.135	00000
BA2.26S	72	.135	00000
BA249S	588	.125	21252
BA29S	108	.125	21485
BA13SM600	36	.062	21492
BA1.53S	36	.090	21536
BA28.2S	98	.125	22060
BA1.51S	12	.090	22092
BA14S	48	.062	22151
BA15S	60	.062	22175
BA16S	72	.062	22319
BA27S	84	.125	22370
BA23SM600	36	.125	23396
BA23.2S	38	.125	00000
BA25.3S	63	.125	00000
BA25.33S	64	.125	22965
BA.752S	24	.046	23029
BA217S	204	.125	00000
BA12S	24	.062	23431
BA19S	108	.062	23703
BA17S	84	.062	00000
BA26SM600	72	.125	23905
BA25SM600	60	.125	00000
BA24SM600	48	.125	24487

4	3	2	1
MODEL NO.	"L"	"D"	P/N
BA24SM600	48	.125	24487
BA28SM600	96	.125	24289
BA222SM600	264	.125	00000
BA1.52S	24	.090	64415
BA213S	156	.125	65962
BA220S	240	.125	78118

NOTES:

- 'M600' SUFFIX INDICATES FIBERS POTTED ON ANGLED END WITH EPOXY OPERATES IN MAX. TEMPERATURE OF 600°F.

- NOTES:
- ALL DIMENSIONS ARE MILLIMETERS [INCHES] UNLESS OTHERWISE NOTED.
  - REFER TO "www.bannerengineering.com" FOR ADDITIONAL DATA AND SPECIFICATIONS.

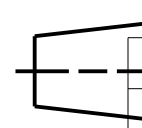
This drawing is the property of BANNER ENGINEERING CORP. Any use or reproduction, in any form, without prior written permission of Banner is prohibited. © 2015 Banner Engineering Corp.



BANNER ENGINEERING CORP.  
www.bannerengineering.com

TITLE

**BA2 SERIES SS TERMINATED**



SIZE	DRAWING NO.	REV.
BA2 SERIES SS TERMINATED	<b>161919</b>	<b>A</b>
SCALE-123:2	2 OF 2 SHEET	2 OF 1219

CREO

# Mouser Electronics

Authorized Distributor

Click to View Pricing, Inventory, Delivery & Lifecycle Information:

[Banner Engineering:](#)

[BA23S](#) [BA24S](#) [BA13S](#) [BA26S](#) [BA21.5S](#) [BA28SM600](#) [BA210S](#) [BA25S](#)