

MST 1-PHASE CONTROL AND ISOLATION TRANSFORMER

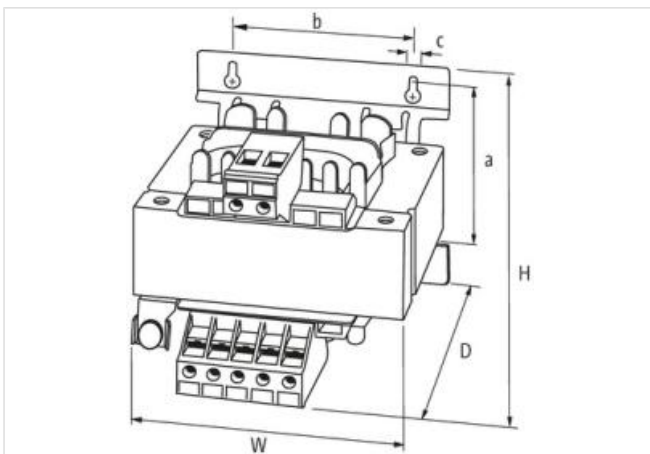
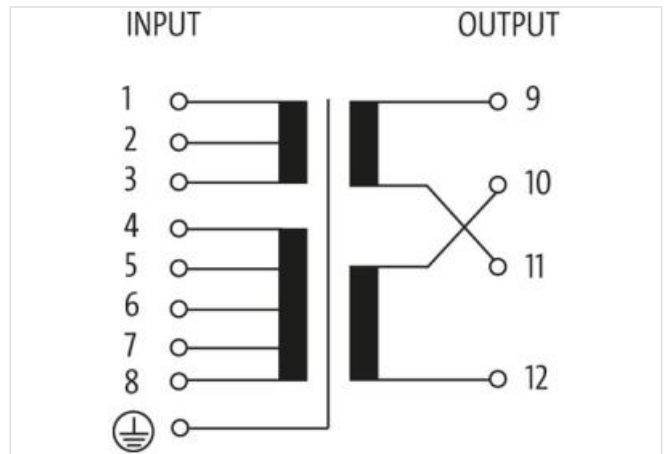
P: 5000VA IN: 208...550VAC OUT: 2x115VAC

Art.No.: 86157
 Weight: 37
 Country of origin: CZ
 Model designation: MST 5000-208...550/2x115

Single-phase - Control and Isolation Transformers
 5000 VA
 Isolation class T 40/B
 Other voltages on request.

[Link to Product](#)

Illustration



Product may differ from Image



Commercial data

ECLASS-6.0	27031302
ECLASS-6.1	27031302
ECLASS-7.0	27031302

ECLASS-8.0	27031302
ECLASS-9.0	27031302
ECLASS-10.1	27031302
ECLASS-11.1	27031302
ECLASS-12.0	27031302
ETIM-5.0	EC002486
customs tariff number	85043200
GTIN	4048879078689
Packaging unit	1

Electrical data | Supply

Power frequency	50 ... 60 Hz
-----------------	--------------

Electrical data | Input

Input voltage 1 AC	208 V
Input voltage 2 AC	550 V
Input voltage AC	208, 230, 380, 400, 420, 440, 460, 480, 500, 525, 550
Input current at input voltage 1 AC	25,4 A
Input current at input voltage 2 AC	9,6 A
Inrush current at input voltage 1	378 A
Inrush current at input voltage 2	143 A
Short-circuit current at input voltage 1	1362 A
Short-circuit current at input voltage 2	515 A

Electrical data | Output

Output voltage	1 × 230 / 1 × 115 / 2 × 115 V AC
Output voltage AC 1	230 V
Output voltage AC 2	115 V
Output voltage adjustable	yes
Power rating AC max.	5000 VA

Device protection | Electrical

Insulation test voltage input - output	5,1 kV
----------------------------------------	--------

Mechanical data | Mounting data

Suitable for mounting type	4 hole screw mounting
Mounting dimension a	200 mm
Mounting dimension b	174 mm
Mounting dimension c	9 mm
Height	248 mm
Width	197 mm
Depth	250 mm
Diameter bore	9 mm
Length bore	14 mm

Environmental characteristics | Climatic

Operating temperature min.	-20 °C
Operating temperature max.	40 °C
Storage temperature min.	-40 °C
Storage temperature max.	80 °C

Conformity

Product standard	EN 61558-2-6, EN 62041 category 0
------------------	-----------------------------------

Connection type 5

Connection type 1	Input
Connection type 2	Input
Connection type 3	Output
Connection type 4	Output

Connection	Screw terminals SK
Family construction form	terminal
Gender	female
No. of poles	8
PIN 1	1
PIN 2	2
PIN 3	3
PIN 4	4
PIN 5	5
PIN 6	6
PIN 7	7
PIN 8	8
Connection	Plug-in terminals RK
Family construction form	terminal
Gender	female
No. of poles	8
PIN 1	1
PIN 2	2
PIN 3	3
PIN 4	4
PIN 5	5
PIN 6	6
PIN 7	7
PIN 8	8
Connection	Screw terminals SK
Family construction form	terminal
Gender	female
No. of poles	4
PIN 1	9
PIN 2	10
PIN 3	11
PIN 4	12
Connection	Plug-in terminals RK
Family construction form	terminal
Gender	female
No. of poles	4
PIN 1	9
PIN 2	10
PIN 3	11
PIN 4	12
Connection	Screw terminals SK
Family construction form	terminal
Gender	female
Color contact carrier	metallic
No. of poles	1
PIN 1	PE

Mouser Electronics

Authorized Distributor

Click to View Pricing, Inventory, Delivery & Lifecycle Information:

[Murrelektronik:](#)

[86157](#)