

**M12 male recept. A-cod. front incl. nut**

PP-wires 4x0.34 0.2m

Art.No.: 7000-13502-9710020

Weight: 0.017

Country of origin: DE

Model designation: MSAFV-T971\_0.2

Flange male

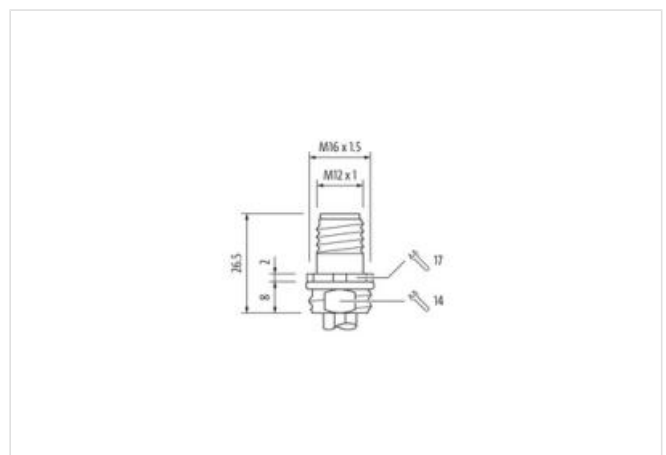
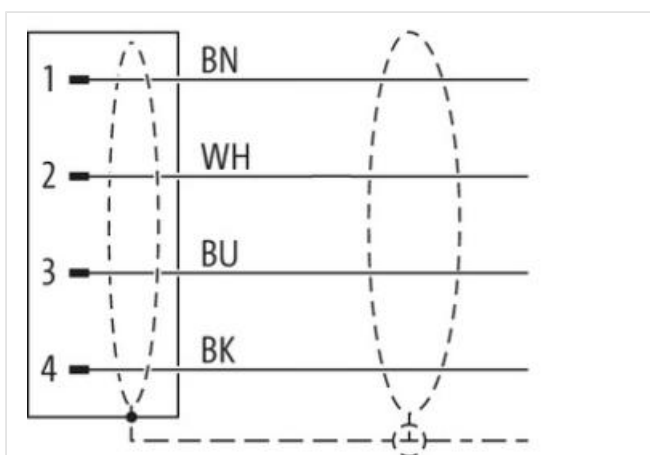
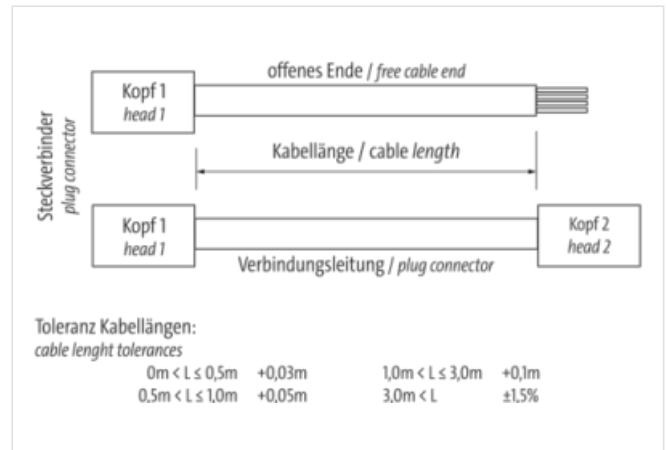
M12, 4-pole

Front mounting

with multi-strand wire

Further cable lengths on request.

The resistance to aggressive media should be individually tested for your application. Further details on request.

[Link to Product](#)**Illustration**



Product may differ from Image



Cable length 0,2 m

**Side 1**

Tightening torque	0,6 Nm
Mounting method	inserted, screwed
Coating contact	gold plated
Family construction form	M12
Thread	M12 x 1
Coding	A
Material contact	Copper alloy
Material	Zinc die-casting
No. of poles	4
Degree of protection (EN IEC 60529)	IP67

**Side 2**

Coating contact gold plated

**Commercial data**

ECLASS-6.0	27279220
ECLASS-6.1	27279220
ECLASS-7.0	27440103
ECLASS-8.0	27440103
ECLASS-9.0	27440103
ECLASS-10.1	27440103
ECLASS-11.1	27440103
ECLASS-12.0	27440103
ETIM-5.0	EC001855
customs tariff number	85444290
GTIN	4048879494144
Packaging unit	1

**Electrical data | Supply**

Operating voltage AC max.	250 V
Operating voltage DC max.	250 V
Current operating per contact max.	4 A

**Diagnostics**

The information in this Product-PDF has been compiled with the utmost care.

Liability for the correctness completeness and topicality of the information is restricted to gross negligence. Version: 2024-12-12

Murrelektronik Inc. | 1327 Northbrook Parkway, Suite 460 | Suwanee, GA 30024 | Fon +1 770 497-9292 | Fax +1 770 497-9391 | shop@murrinc.com | shop.murrinc.com

Status indication LED no

#### Installation | Connection

Mounting set M16 x 1.5  
Width across flats SW19

#### Device protection | Electrical

Protection NEMA 3, 4, 6P  
Additional condition protection degree inserted, screwed  
Pollution Degree 3  
Rated surge voltage 2,5 kV  
Material group (IEC 60664-1) I

#### Mechanical data

Contour for corrugated hose without

#### Mechanical data | Material data

Coating housing nickel plated  
Coating locking Nickerled  
Coating of fitting nickel plated  
Locking material Zinc die-casting  
Material screw connection Zinc die-casting

#### Mechanical data | Mounting data

Mounting method Schraubgewinde  
Looking techniques Schraubgewinde

#### Environmental characteristics | Climatic

Operating temperature min. -25 °C  
Operating temperature max. 85 °C  
Additional condition temperature range depending on cable quality

#### Important installation notes

Note on strain relief Protect the connectors by suitable measures from mechanical loads, e.g. by the usage of cable ties.  
Note on bending radius **Attention:** Observe the permissible bending radii when laying cables, as the IP protection class can be endangered by excessive bending forces.

#### Conformity

Product standard DIN EN 61076-2-101 (M12)

#### Approvals

UL 50E yes

#### Installation | Cable

Cable identification 971  
Material wire insulation PUR  
Amount wires 4  
Outer diameter insulation 1,3 mm  
Outer diameter tolerance core insulation ± 5 %  
Conductor crosssection (wire) 0,34 mm<sup>2</sup>  
Min. operating temperature (static) -40 °C  
Max. operating temperature (fixed) 90 °C  
Operating temperature min. (dynamic) -25 °C  
Operating temperature max. (dynamic) 90 °C  
Flame resistance UL 1581 § 1100 FT2 | UL 1581 § 1090 | IEC 60332-2-2  
chemical resistance Good, application-related testing  
Gasoline resistance Good, application-related testing  
Oil resistance DIN EN 60811-404 | Good, application-related testing  
Bending radius (fixed) 5 x Outer diameter

# Mouser Electronics

Authorized Distributor

Click to View Pricing, Inventory, Delivery & Lifecycle Information:

[Murrelektronik:](#)

[7000-13502-9710020](#)