

M8 male 0° A-cod. solder pins3-pol., 0.25mm², 3,5 - 5mm

Art.No.: 7000-08401-0000000

Weight: 0.01

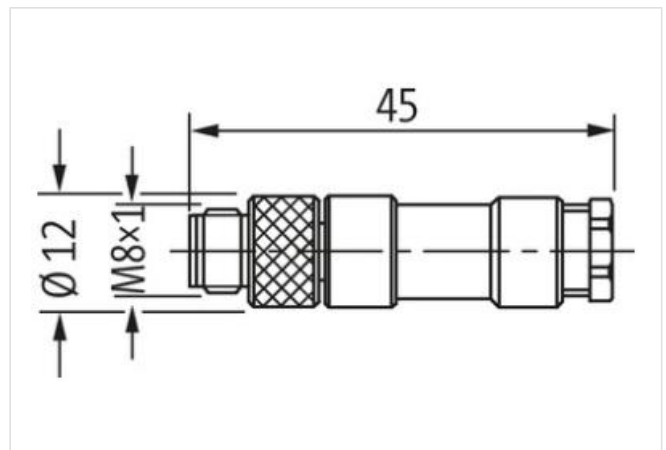
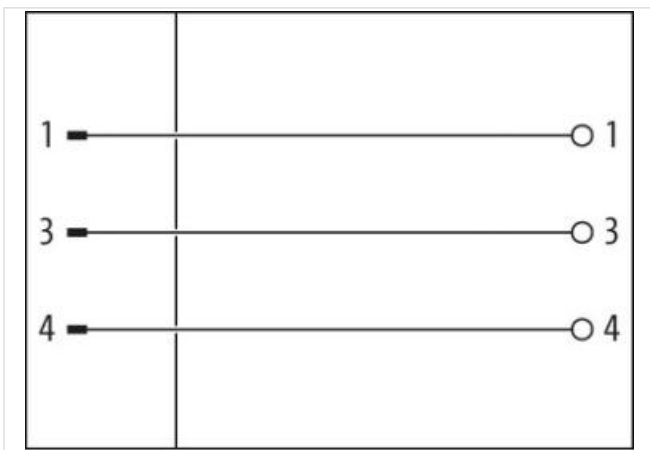
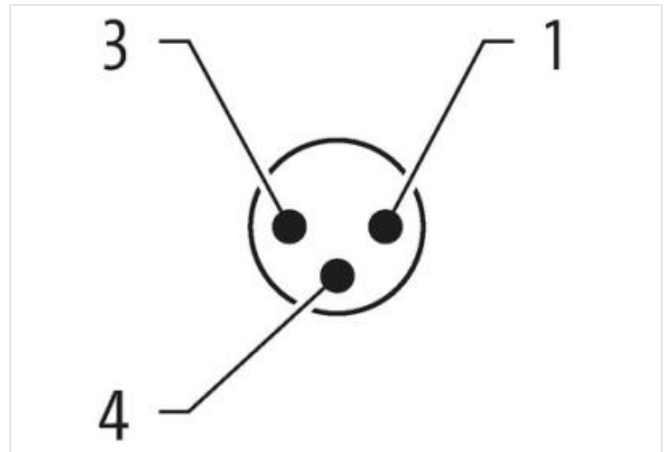
Country of origin: DE

Model designation: MSH-R

Male straight

M8, 3-pole

with solder pins

Connection cross section: max. 0.25 mm²[Link to Product](#)**Illustration**

Product may differ from Image

Side 1

Family construction form	M8
Degree of protection (EN IEC 60529)	IP67

Commercial data

ECLASS-6.0	27279221
ECLASS-7.0	27440104
ECLASS-8.0	27440104
ECLASS-9.0	27440102

ECLASS-10.1	27440102
ECLASS-11.1	27440102
ECLASS-12.0	27440116
ETIM-5.0	EC001855
customs tariff number	85366990
GTIN	4048879224666
Packaging unit	1

Electrical data | Supply

Operating voltage AC max.	60 V
Operating voltage DC max.	60 V
Current operating per contact max.	4 A

Installation

Connection cross section max.	0,25 mm ²
-------------------------------	----------------------

Device protection | Electrical

Additional condition protection degree	inserted, screwed
--	-------------------

Mechanical data | Mounting data

Clamping range min.	3,5 mm
Clamping range max.	5 mm
Height	45 mm
Width	12 mm
Depth	12 mm

Environmental characteristics | Climatic

Operating temperature min.	-25 °C
Operating temperature max.	85 °C

Important installation notes

Note on strain relief	Protect the connectors by suitable measures from mechanical loads, e.g. by the usage of cable ties.
Note on bending radius	Attention: Observe the permissible bending radii when laying cables, as the IP protection class can be endangered by excessive bending forces.

Mouser Electronics

Authorized Distributor

Click to View Pricing, Inventory, Delivery & Lifecycle Information:

[Murrelektronik:](#)

[7000-08401-0000000](#)