

MKS - D 6/1300 - 1 DIODE MODULES

Mounting rail / screw-type terminal

Art.No.: 67063

Weight: 0.066

Country of origin: CZ

Model designation: MKS - D 6/1300-1

Universal diode 1 300 V, 1 A

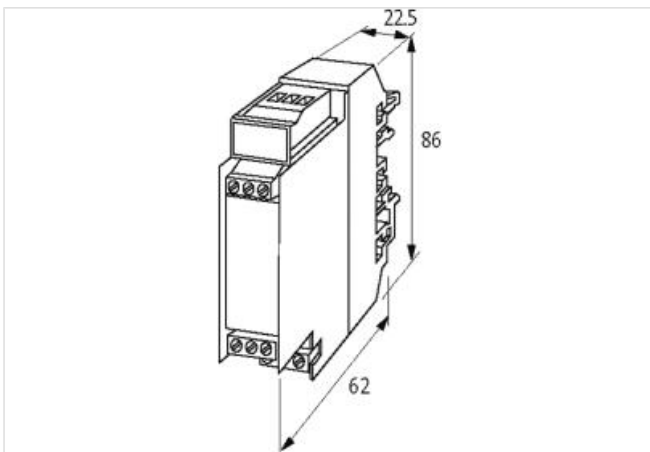
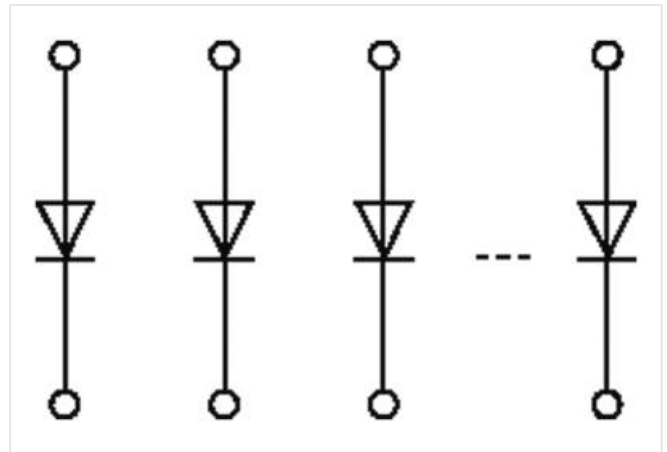
6 diodes

separation contact via pluggable jumpers

Diode modules are suitable for the suppression of inductive loads (valve, contactor, etc.)

[Link to Product](#)

Illustration



Product may differ from Image



Commercial data

ECLASS-6.0	27371010
ECLASS-6.1	27371010
ECLASS-7.0	27371010

The information in this Product-PDF has been compiled with the utmost care.

Liability for the correctness completeness and topicality of the information is restricted to gross negligence. Version: 2024-12-14

Murrelektronik GmbH | Grabenstraße 29 | 71570 Oppenweiler | Fon +49 (71 91) 47-0 | Fax +49 (71 91) 47-491000 | shop@murrelektronik.com | shop.murrelektronik.com

ECLASS-8.0	27371010
ECLASS-9.0	27371010
ECLASS-10.1	27371010
ECLASS-11.1	27371010
ECLASS-12.0	27371010
ETIM-5.0	EC002780
customs tariff number	85411000
GTIN	4048879041904
Packaging unit	1

Electrical data | Supply

Operating voltage AC max.	48 V
Operating voltage DC max.	48 V

Mechanical data | Mounting data

Mounting method	geschnappt
Suitable for mounting type	Mounting rail TH35, G32, (EN 60715)
Height	86 mm
Width	22,5 mm
Depth	62 mm

Environmental characteristics | Climatic

Operating temperature min.	-20 °C
Operating temperature max.	60 °C

Connection type 1

Connection	Screw terminals SK
Family construction form	terminal
Gender	female
No. of poles	12

Mouser Electronics

Authorized Distributor

Click to View Pricing, Inventory, Delivery & Lifecycle Information:

[Murrelektronik:](#)

[67063](#)