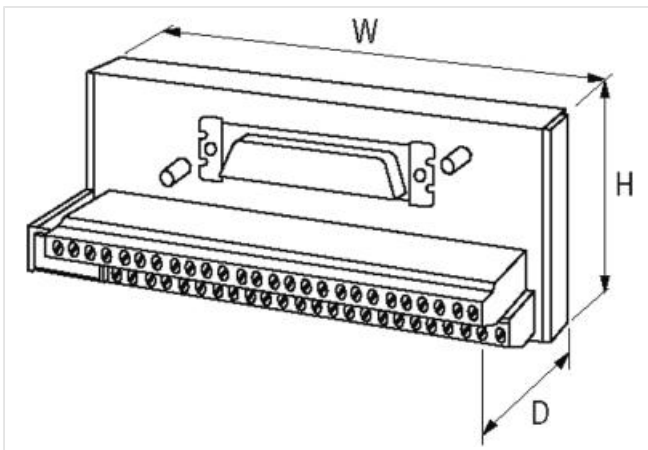
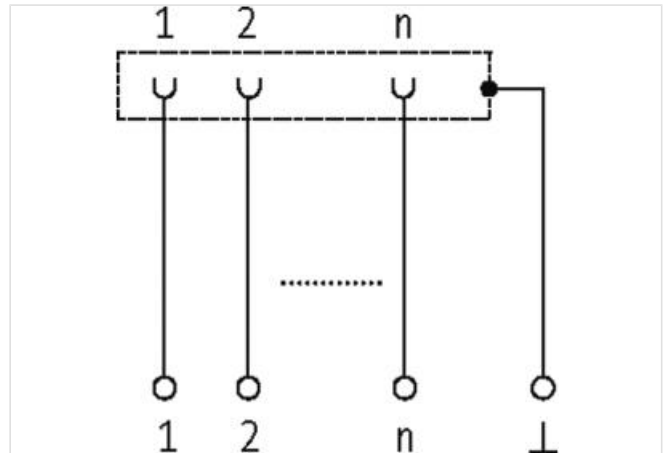


**SV-SUB D 15ST.-KL FK**

Art.No.: 6654031  
 Weight: 0.102  
 Country of origin: CZ  
 Model designation: SV-SUB D 15St.-KL FK

Male connector  
 15-pole  
 Spring clamp terminals

**[Link to Product](#)****Illustration**

Product may differ from Image

**Commercial data**

ECLASS-6.0	27379201
ECLASS-6.1	27260708
ECLASS-7.0	27141152
ECLASS-8.0	27141152
ECLASS-9.0	27141152

ECLASS-10.1	27141152
ECLASS-11.1	27141152
ECLASS-12.0	27141152
ETIM-5.0	EC001283
customs tariff number	85366990
GTIN	4048879021616
Packaging unit	1

**Electrical data | Supply**

Operating voltage AC	125 V
Operating voltage DC	150 V
Operating current max.	2 A

**Device protection | Electrical**

Overvoltage category (EN 60664-1)	II
-----------------------------------	----

**Mechanical data | Mounting data**

Mounting method	geschnappt
Suitable for mounting type	mounting rail, (EN 60715)
Height	63 mm
Width	75 mm
Depth	48 mm
Looking techniques	Standard UNC 4-40 screw thread bolt (EN 60807)

**Environmental characteristics | Climatic**

Operating temperature min.	-20 °C
Operating temperature max.	70 °C

# Mouser Electronics

Authorized Distributor

Click to View Pricing, Inventory, Delivery & Lifecycle Information:

[Murrelektronik:](#)

[6654031](#)