

MIRO TEMP. CONVERTER PT100 - 2 /3-LEAD METHOD

IN: 0°C..+100°C - OUT:0..10 V / (0)4..20 mA

Art.No.: 6644332

Weight: 0.05

Country of origin: CZ

Model designation: MTW- 0-100C MIRO 2/3 LEITER

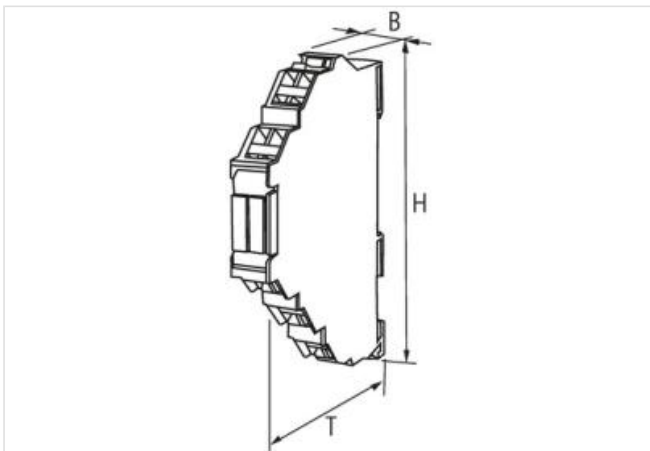
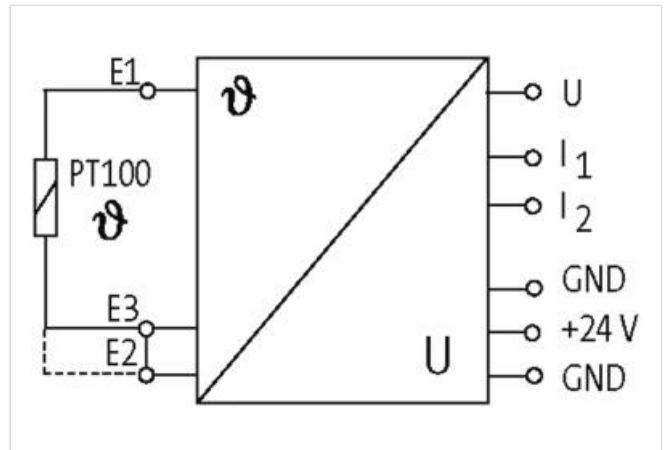
INPUT: 0...100 °C

Spring clamp terminals

Murrelektronik's temperature converters convert a temperature into the usual signal variables (0...10 V, 4...20 mA, 0...20 mA) in conjunction with a PT100 temperature sensor (IEC 751/ EN 60751). For this purpose, the MTW modules supply a constant current which causes a voltage drop at the PT100 resistor. This is linearized and converted into the corresponding output signals at the OUT terminals. All 3 signals can be used simultaneously. The 2-wire technique can be used for short distances between PT100 sensor and MTW module (<5 m). The 3-wire measuring method must be used for longer distances to compensate the measuring line resistance. For this purpose, a 3rd line (same length and design as the two measuring lines) is required. In this case, the factory-equipped bridge connecting E2 and E3 must be removed.

[Link to Product](#)

Illustration



Product may differ from Image

**Commercial data**

ECLASS-6.0	27210990
ECLASS-6.1	27210190
ECLASS-7.0	27210190
ECLASS-8.0	27210190
ECLASS-9.0	27210129
ECLASS-10.1	27210129
ECLASS-11.1	27210129
ECLASS-12.0	27210129
ETIM-5.0	EC001446
customs tariff number	85437090
GTIN	4048879022361
Packaging unit	1

Electrical data

Accuracy (of full scale)	1 %
--------------------------	-----

Electrical data | Supply

Operating voltage DC	24 V
Operating voltage DC min.	18 V
Operating voltage DC max.	30 V
Operating current max.	80 mA

Electrical data | Output

Load max.	25 mA
Working resistance max.	500 Ω

Device protection | Electrical

Overload protection output	yes
----------------------------	-----

Mechanical data | Mounting data

Mounting method	geschnappt
Suitable for mounting type	mounting rail, (EN 60715)
Height	90 mm
Width	12,4 mm
Depth	70 mm

Environmental characteristics | Climatic

Operating temperature min.	0 °C
Operating temperature max.	60 °C

Connection type 7

Connection	Spring clamp terminals FK
Family construction form	terminal
Gender	female
Color contact carrier	green
No. of poles	2
PIN 1	+ 24 V DC
PIN 2	- 24 V DC
Connection	Spring clamp terminals FK
Family construction form	terminal
Gender	female
Color contact carrier	green

No. of poles	2
PIN 1	E 3
PIN 2	E 2
Connection	Spring clamp terminals FK
Family construction form	terminal
Gender	female
Color contact carrier	green
No. of poles	2
PIN 2	E 1
Connection	Spring clamp terminals FK
Family construction form	terminal
Gender	female
Color contact carrier	green
No. of poles	2
PIN 1	U
PIN 2	0 V
Connection	Spring clamp terminals FK
Family construction form	terminal
Gender	female
Color contact carrier	green
No. of poles	2
PIN 1	I 1
PIN 2	I 2
Connection	Spring clamp terminals FK
Family construction form	terminal
Gender	female
Color contact carrier	green
No. of poles	2
PIN 1	24 V DC
PIN 2	0 V
Connection	Spring clamp terminals FK
Family construction form	terminal
Gender	female
Color contact carrier	green
No. of poles	2
PIN 1	In 1
PIN 2	I 2

Mouser Electronics

Authorized Distributor

Click to View Pricing, Inventory, Delivery & Lifecycle Information:

[Murrelektronik:](#)

[6644332](#)