

EUROCARD HOLDER

SKT 32 D

Art.No.: 63512

Weight: 0.182

Country of origin: CZ

Model designation: SKT 32 D

Screw terminals

32-pole D (EN 60603)

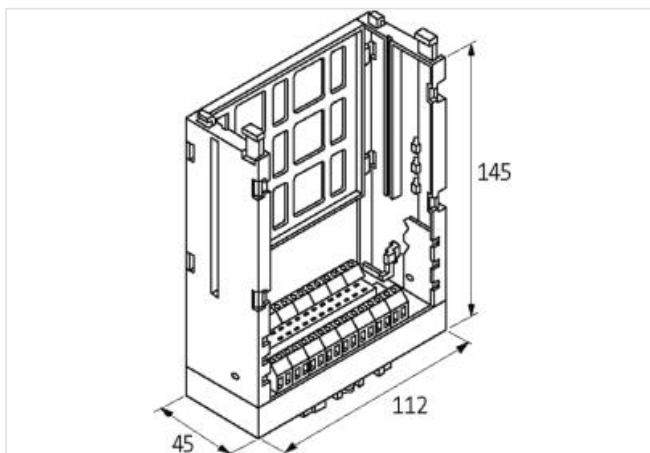
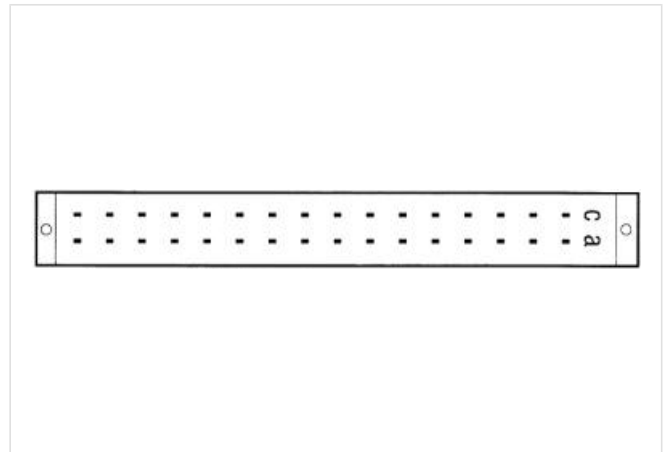
Row a, c

The D2 size is for a card without a front plate.

To insert the card first press down the 2 yellow buttons. Then slide the Eurocard into the guide slots pushing until fully engaged. The card is now locked into position. It can be removed by pressing down on the 2 yellow buttons.

[Link to Product](#)

Illustration



Product may differ from Image



Commercial data

ECLASS-6.0

27260710

ECLASS-6.1	27260704
ECLASS-7.0	27440402
ECLASS-8.0	27440402
ECLASS-9.0	27440402
ECLASS-10.1	27440402
ECLASS-11.1	27460201
ECLASS-12.0	27460201
ETIM-5.0	EC002780
customs tariff number	85366990
GTIN	4048879042000
Packaging unit	1

Electrical data | Supply

Operating voltage AC	250 V
Operating current max.	4 A

Installation

Connection cross-section solid max.	4 mm ²
-------------------------------------	-------------------

Installation | Pin assignment

No. of poles	32
--------------	----

Device protection | Electrical

Overvoltage category (EN 60664-1)	I
-----------------------------------	---

Device protection | Media

Flame resistance	flame retardant
------------------	-----------------

Mechanical data

Type of socket connector	D (EN 60603)
--------------------------	--------------

Mechanical data | Material data

Material housing	Plastic
------------------	---------

Mechanical data | Mounting data

Mounting method	screwed, geschnappt
Suitable for mounting type	horizontal, vertical, mounting rail, (EN 60715)
Height	112 mm
Width	45 mm
Depth	145 mm

Mouser Electronics

Authorized Distributor

Click to View Pricing, Inventory, Delivery & Lifecycle Information:

[Murrelektronik:](#)

[63516](#) [63512](#) [63518](#)