

MVP12-P6 DIO8 DIO8 8xM12A IOLB12 B0

IO-Link Class B I/O module

Art.No.: 59718

Weight: 0.2

Country of origin: DE

Model designation: MVP12-P6 DIO8 DIO8 8xM12A IOLB12 B0

IO-Link hub in 50 mm plastic housing

1 × M12 IO-Link Class B

8 × M12 I/O

16 configurable digital inputs/outputs

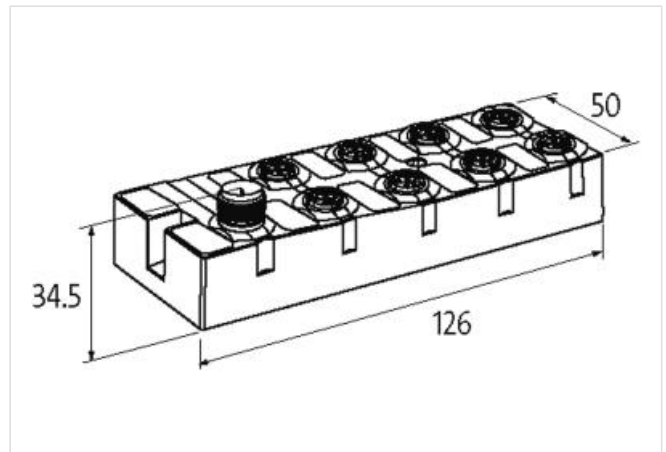
Galvanically isolated voltage groups

Preconfigured parameter range

Connection cables are in the online shop under "Connection Technology".

[Link to Product](#)**Illustration**

Product may differ from Image

**Commercial data**

ECLASS-6.0	27242604
ECLASS-6.1	27242604
ECLASS-7.0	27242604
ECLASS-8.0	27242604
ECLASS-9.0	27242604
ECLASS-10.1	27242604
ECLASS-11.1	27242604
ECLASS-12.0	27242604
customs tariff number	85389099
GTIN	4048879865043
Packaging unit	1

Electrical data | Supply

Operating voltage DC	24 V
Operating voltage US DC	24 V
Operating voltage US DC min.	18 V

The information in this Product-PDF has been compiled with the utmost care.

Liability for the correctness completeness and topicality of the information is restricted to gross negligence. Version: 2024-12-14

Murrelektronik GmbH | Grabenstraße 29 | 71570 Oppenweiler | Fon +49 (71 91) 47-0 | Fax +49 (71 91) 47-491000 | shop@murrelektronik.com | shop.murrelektronik.com

Operating voltage US DC max.	30 V
Operating voltage UA DC	24 V
Operating voltage UA DC min.	18 V
Operating voltage UA DC max.	30 V
Current consumption max.	50 mA
Total current UA max.	4 A
Total current US max.	4 A

Electrical data | Input

Sensor current per input max.	0,5 A
Type input	Type 1, Type 3
Input filter time	1 ms

Electrical data | Output

Output current per pin max.	2 A
-----------------------------	-----

Industrial communication | IO-Link

IO-Link type	Device
Port Class	B
IO-Link revision ID	V1.1.2
IO-Link transmission rate	COM3 (230.4 kbit/s)
IO-Link process data length input	2 Bytes
IO-Link process data length output	2 Bytes
IO-Link cycle time min.	1 ms
IO-Link revision compatibility	V1.1.3

Diagnostics

Actuator warning	yes
Diagnostic via LED	per module and channel
IO-Link events	No voltage, Undervoltage supply
Short circuit diagnosis	yes
LED display	Ethernet connection/data traffic
Status indication LED	green
Overload diagnosis	yes

Device protection | Electrical

Installation height max. ASL	3000 m
Degree of protection (EN IEC 60529)	IP68
Overload resistant	yes
Short-circuit protected	yes
Galvanic separation US/UA	yes

Mechanical data | Mounting data

Suitable for mounting type	2-hole screw mounting
Height	126 mm
Width	50 mm
Depth	34,5 mm

Environmental characteristics | Climatic

Operating temperature min.	-25 °C
Operating temperature max.	70 °C
Storage temperature min.	-40 °C
Storage temperature max.	85 °C

Conformity

Product standard	EN 61131-2
------------------	------------

Connection type 3

Connection type 1	X0-X3
-------------------	-------

Connection type 2	X4-X7
Connection type 3	XZ1
Family construction form	M12
Gender	female
Coding	A
No. of poles	5
PIN 1	24 V DC UA
PIN 2	DIO (UA)
PIN 3	0 V UA
PIN 4	DIO (UA)
PIN 5	FE
Family construction form	M12
Gender	female
Coding	A
No. of poles	5
PIN 1	24 V DC US
PIN 2	DIO (US)
PIN 3	0 V US
PIN 4	DIO (US)
PIN 5	FE
Family construction form	M12
Gender	male
Coding	A
No. of poles	5
PIN 1	24 V DC (US) (L +)
PIN 2	24 V DC (UA) (P 24)
PIN 3	0 V (US) (L -)
PIN 4	C / Q / IO-Link
PIN 5	0 V (UA) (N 24)

Mouser Electronics

Authorized Distributor

Click to View Pricing, Inventory, Delivery & Lifecycle Information:

[Murrelektronik:](#)

[59718](#)