

MVP12-P6 DIO16CGND 8xM12A IOL_12 B0

IO-Link I/O module

Art.No.: 59712

Weight: 0.2

Country of origin: DE

Model designation: MVP12-P6 DIO16CGND 8xM12A IOL_12 B0

IO-Link hub in 50 mm plastic housing

16 digital inputs and 16 digital outputs

1 × M12 IO-Link

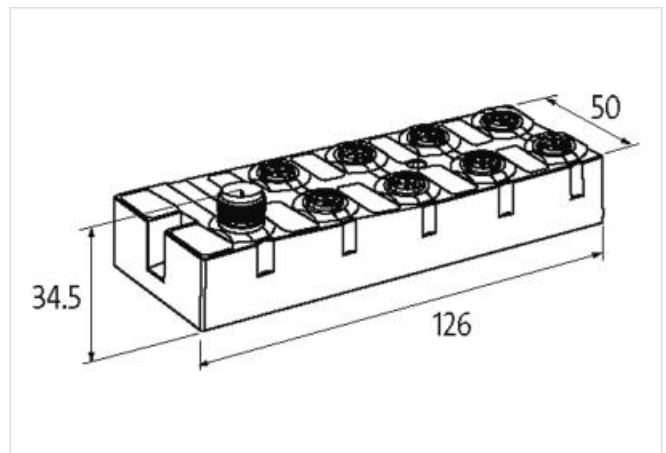
8 × M12 I/O

Preconfigured parameter range

Connection cables are in the online shop under "Connection Technology".

[Link to Product](#)**Illustration**

Product may differ from Image

**Electrical data | Supply**

Operating voltage DC	24 V
Operating voltage US DC	24 V
Operating voltage US DC min.	18 V
Operating voltage US DC max.	30 V
Operating voltage UA DC	24 V
Operating voltage UA DC min.	18 V
Operating voltage UA DC max.	30 V
Current consumption max.	50 mA
Total current UA max.	4 A
Total current US max.	4 A

Electrical data | Input

Sensor current per input max.	0,5 A
Type input	Type 1, Type 3
Input filter time	1 ms

Electrical data | Output

Output current per pin max. 2 A

Industrial communication | IO-Link

IO-Link type	Device
IO-Link revision ID	V1.1.2
IO-Link transmission rate	COM3 (230.4 kbit/s)
IO-Link process data length input	2 Bytes
IO-Link process data length output	2 Bytes
IO-Link cycle time min.	1 ms
IO-Link revision compatibility	V1.1.3

Diagnostics

Actuator warning	yes
Diagnostic via LED	per module and channel
IO-Link events	No voltage, Undervoltage supply
Short circuit diagnosis	yes
LED display	Ethernet connection/data traffic
Status indication LED	green
Overload diagnosis	yes

Device protection | Electrical

Installation height max. ASL	3000 m
Degree of protection (EN IEC 60529)	IP68
Overload resistant	yes
Short-circuit protected	yes
Galvanic separation US/UA	no

Mechanical data | Mounting data

Suitable for mounting type	2-hole screw mounting
Height	126 mm
Width	50 mm
Depth	34,5 mm

Environmental characteristics | Climatic

Operating temperature min.	-25 °C
Operating temperature max.	70 °C
Storage temperature min.	-40 °C
Storage temperature max.	85 °C

Conformity

Product standard	EN 61131-2
------------------	------------

Connection type 2

Connection type 1	X0-X7
Connection type 2	XZ1
Family construction form	M12
Gender	female
Color contact carrier	black
Coding	A
No. of poles	5
PIN 1	24 V DC (US) (L +)
PIN 2	DIO
PIN 3	0 V
PIN 4	DIO
PIN 5	n.c.
Family construction form	M12
Gender	male
Coding	A

No. of poles	5
PIN 1	24 V DC (US) (L +)
PIN 2	24 V DC (UA) (P 24)
PIN 3	0 V
PIN 4	C / Q / IO-Link
PIN 5	0 V

Commercial data

customs tariff number	85389099
GTIN	4065909035474
Packaging unit	1

Mouser Electronics

Authorized Distributor

Click to View Pricing, Inventory, Delivery & Lifecycle Information:

[Murrelektronik:](#)

[59712](#)