

CUBE20S SSI MODULE

SSI Encoder

Art.No.: 57142

Weight: 0.065

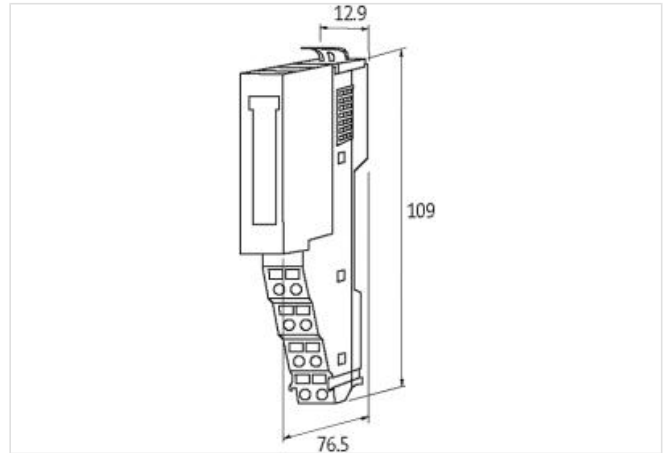
Country of origin: TH

Model designation: Cube20S SSI module SSI Encoder

RS422

[Link to Product](#)

Illustration



Product may differ from Image



Commercial data

| | |
|-----------------------|---------------|
| ECLASS-6.0 | 27242605 |
| ECLASS-7.0 | 27242605 |
| ECLASS-8.0 | 27242605 |
| ECLASS-9.0 | 27242605 |
| ETIM-5.0 | EC001601 |
| customs tariff number | 85389099 |
| GTIN | 4048879422925 |
| Packaging unit | 1 |

Electrical data | Supply

| | |
|--------------------------|-----------------------|
| Current consumption max. | 70 mA |
| module supply | via system connection |

Diagnostics

| | |
|-------------------------|----------------------------------|
| Diagnostic | Under voltage |
| Diagnostic via BUS | per module |
| Diagnostic via LED | per module and channel |
| Short circuit diagnosis | yes |
| LED display | Ethernet connection/data traffic |
| Overload diagnosis | yes |

Device protection | Electrical

Degree of protection (EN IEC 60529) IP20

Mechanical data | Mounting data

| | |
|----------------------------|---------------------------|
| Mounting method | geschnappt |
| Suitable for mounting type | mounting rail, (EN 60715) |
| Height | 109 mm |
| Width | 12,9 mm |
| Depth | 76,5 mm |

Environmental characteristics | Climatic

| | |
|----------------------------|--------|
| Operating temperature min. | 0 °C |
| Operating temperature max. | 60 °C |
| Storage temperature min. | -25 °C |
| Storage temperature max. | 70 °C |

Connection type 2

| | |
|--------------------------|---------------------------|
| Connection type 1 | Power |
| Connection type 2 | Power |
| Connection | Spring clamp terminals FK |
| Family construction form | terminal |
| Gender | female |
| No. of poles | 8 |
| PIN 1 | n.c. |
| PIN 2 | 24 V DC |
| PIN 3 | 0 V |
| PIN 4 | 24 V DC Sys |
| PIN 5 | n.c. |
| PIN 6 | 24 V DC |
| PIN 7 | 0 V |
| PIN 8 | 0 V Sys |
| Connection | Spring clamp terminals FK |
| Family construction form | terminal |
| Gender | female |
| No. of poles | 8 |
| PIN 1 | CO + |
| PIN 2 | 24 V DC |
| PIN 3 | 0 V |
| PIN 4 | CI + |
| PIN 5 | CO - |
| PIN 6 | DI + |
| PIN 7 | DI - |
| PIN 8 | CI - |

Mouser Electronics

Authorized Distributor

Click to View Pricing, Inventory, Delivery & Lifecycle Information:

[Murrelektronik:](#)

[57142](#)