

CUBE20S COMMUNICATION MODULE

RS232

Art.No.: 57140

Weight: 0.06

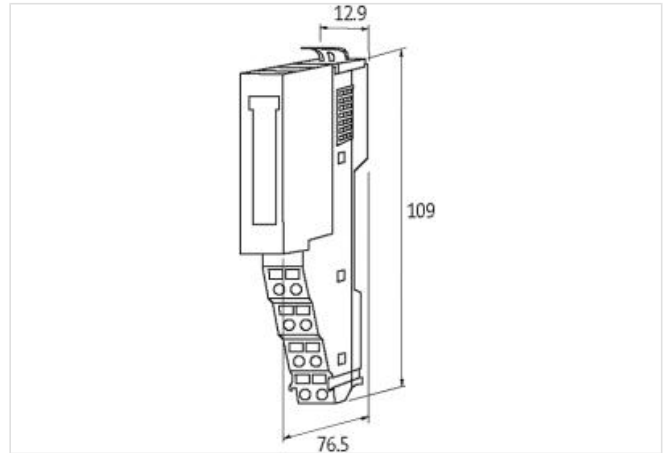
Country of origin: TH

Model designation: Cube20S Communication module RS232

RS232

[Link to Product](#)

Illustration



Product may differ from Image



Commercial data

ECLASS-6.0	27242605
ECLASS-6.1	27242608
ECLASS-7.0	27242608
ECLASS-8.0	27242608
ECLASS-9.0	27242608
ECLASS-10.1	27242608
ECLASS-11.1	27242608
ECLASS-12.0	27242608
ETIM-5.0	EC001604
customs tariff number	85389099
GTIN	4048879422901
Packaging unit	1

Electrical data | Supply

Current consumption max.	100 mA
module supply	via system connection

Industrial communication

Transmission rate min.	150 KBit/s
Data transmission rate max.	115,2 KBit/s

Diagnostics

Diagnostic	Under voltage
Diagnostic via BUS	per module
Diagnostic via LED	per module and channel
Short circuit diagnosis	yes
LED display	Ethernet connection/data traffic
Overload diagnosis	yes

Device protection | Electrical

Degree of protection (EN IEC 60529)	IP20
-------------------------------------	------

Mechanical data | Mounting data

Mounting method	geschnappt
Suitable for mounting type	mounting rail, (EN 60715)
Height	109 mm
Width	12,9 mm
Depth	76,5 mm

Environmental characteristics | Climatic

Operating temperature min.	0 °C
Operating temperature max.	60 °C
Storage temperature min.	-25 °C
Storage temperature max.	70 °C

Connection type 2

Connection type 1	Power
Connection type 2	Power
Connection	Spring clamp terminals FK
Family construction form	terminal
Gender	female
No. of poles	8
PIN 1	n.c.
PIN 2	24 V DC
PIN 3	0 V
PIN 4	24 V DC Sys
PIN 5	n.c.
PIN 6	24 V DC
PIN 7	0 V
PIN 8	0 V Sys
Connection	Spring clamp terminals FK
Family construction form	terminal
Gender	female
No. of poles	8
PIN 1	TXD
PIN 2	RTS
PIN 3	DCD
PIN 4	DSR
PIN 5	RXD
PIN 6	CTS
PIN 7	GND_ISO
PIN 8	DTR

Mouser Electronics

Authorized Distributor

Click to View Pricing, Inventory, Delivery & Lifecycle Information:

[Murrelektronik:](#)

[57140](#)