

CUBE67+ BUS NODE

Ethercat

Art.No.: 56527

Weight: 0.35

Country of origin: CZ

Model designation: Cube67+ BN-EC

Cube67+

EtherCAT

Connection cables are in the online shop under "Connection Technology".

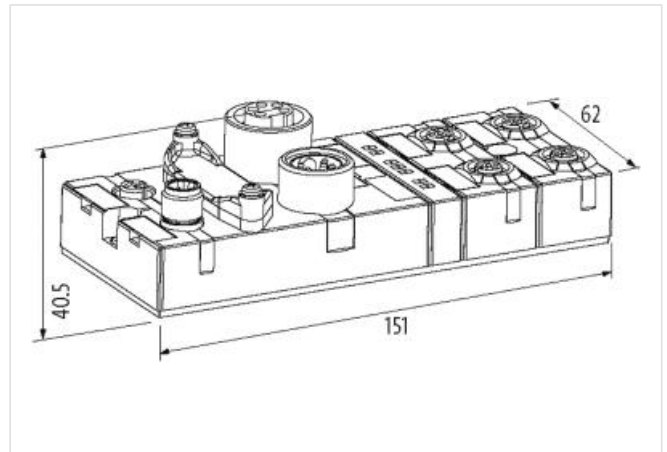
Housing fully potted.

[Link to Product](#)

Illustration



Product may differ from Image



Commercial data

ECLASS-6.0	27242608
ECLASS-6.1	27242608
ECLASS-7.0	27242608
ECLASS-8.0	27242608
ECLASS-9.0	27242608
ECLASS-10.1	27242608
ECLASS-11.1	27242608
ECLASS-12.0	27242608
ETIM-5.0	EC001604
customs tariff number	85389099
GTIN	4048879313148
Packaging unit	1

Electrical data | Supply

Operating voltage DC	24 V
Current consumption max.	200 mA
Total current UA max.	8 A
Total current US max.	8 A

The information in this Product-PDF has been compiled with the utmost care.

Liability for the correctness completeness and topicality of the information is restricted to gross negligence. Version: 2024-12-18

Murrelektronik Inc. | 1327 Northbrook Parkway, Suite 460 | Suwanee, GA 30024 | Fon +1 770 497-9292 | Fax +1 770 497-9391 | shop@murrinc.com | shop.murrinc.com

Industrial communication Bus data	
Address range outputs max.	65636 Bytes
Address range inputs max.	65636 Bytes
Address setting type	automatic
Diagnostics	
Diagnostic	No voltage, Under voltage
Diagnostic via BUS	per module and channel
Diagnostic via LED	per module and channel
Short circuit diagnosis	yes
LED display	Ethernet connection/data traffic
Overload diagnosis	yes
Device protection Electrical	
Degree of protection (EN IEC 60529)	IP67
Mechanical data	
Number extension modules max.	32
Mechanical data Mounting data	
Suitable for mounting type	2-hole screw mounting
Height	151 mm
Width	62 mm
Depth	40,5 mm
Environmental characteristics Climatic	
Operating temperature min.	0 °C
Operating temperature max.	55 °C
Storage temperature min.	-20 °C
Storage temperature max.	75 °C
Conformity	
Product standard	EN 61131-2
Connection type 4	
Connection type 1	Bus In / Bus Out
Connection type 2	Internal system connection
Connection type 3	Power In
Connection type 4	Power Out
Mounting method	inserted, screwed
Tightening torque	0,6 Nm
Family construction form	M12
Gender	female
Color contact carrier	black
Coding	D
No. of poles	4
PIN 1	TD +
PIN 2	RD +
PIN 3	TD -
PIN 4	RD -
Family construction form	M12
Gender	female
Color contact carrier	black
Coding	A
No. of poles	6
PIN 1	24 V DC (UA)
PIN 2	24 V DC (US)
PIN 3	0 V

PIN 4	Bus internal
PIN 5	Bus internal
PIN 6	0 V
Family construction form	7/8"
Gender	male
Color contact carrier	black
No. of poles	5
PIN 1	0 V
PIN 2	0 V
PIN 3	PE
PIN 4	24 V DC (US)
PIN 5	24 V DC (UA)
Family construction form	7/8"
Gender	female
Color contact carrier	black
No. of poles	5
PIN 1	0 V
PIN 2	0 V
PIN 3	PE
PIN 4	24 V DC (US)
PIN 5	24 V DC (UA)

Mouser Electronics

Authorized Distributor

Click to View Pricing, Inventory, Delivery & Lifecycle Information:

[Murrelektronik:](#)

[56527](#)