

## MASI68 I/O MODULE

8 digital inputs

Art.No.: 56424

Weight: 0.13

Country of origin: CZ

Model designation: MASI68 DI8/0,2A AB 4xM12

Compact module

DI8 - 0.19 A (C) - 4x M12 (AB)

Connection cables are in the online shop under "Connection Technology".

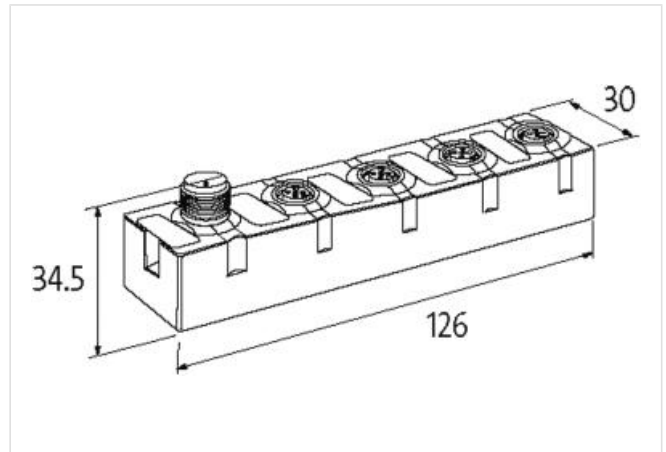
Housing fully potted.

### [Link to Product](#)

#### Illustration



Product may differ from Image



#### Commercial data

ECLASS-6.0	27242604
ECLASS-6.1	27242604
ECLASS-7.0	27242604
ECLASS-8.0	27242604
ECLASS-9.0	27242604
ECLASS-10.1	27242604
ECLASS-11.1	27242604
ECLASS-12.0	27242604
ETIM-5.0	EC001599
customs tariff number	85176200
GTIN	4048879048903
Packaging unit	1

#### Electrical data | Supply

Bus voltage AS-Interface DC min.	26,5 V
Bus voltage AS-Interface DC max.	31,6 V
Current consumption AS-i port max.	250 mA

#### Electrical data | Input

The information in this Product-PDF has been compiled with the utmost care.

Liability for the correctness completeness and topicality of the information is restricted to gross negligence. Version: 2025-02-21

Murrelektronik GmbH | Grabenstraße 29 | 71570 Oppenweiler | Fon +49 (71 91) 47-0 | Fax +49 (71 91) 47-491000 | shop@murrelektronik.com | shop.murrelektronik.com

Overload resistant	yes
Short-circuit protected	yes
Type input	PNP, for 3-wire sensors or mechanical switches
Current carrying capacity max.	0,19 A
<b>Industrial communication   Bus data</b>	
Address setting type	M12 connection and programming device, Master
Slave address range	(0), 1 A...31 A, 1 B...31 B
<b>Industrial communication   AS-Interface</b>	
AS-i Power 24	yes
Profile (IO.ID.ID2)	2x S-0.A.2
<b>Diagnostics</b>	
Diagnostic	No voltage
Diagnostic via LED	per module
LED display	Ethernet connection/data traffic
<b>Device protection   Electrical</b>	
Degree of protection (EN IEC 60529)	IP68
<b>Mechanical data   Mounting data</b>	
Mounting method	screwed
Height	126 mm
Width	30 mm
Depth	34,5 mm
<b>Environmental characteristics   Climatic</b>	
Operating temperature min.	-20 °C
Operating temperature max.	60 °C
Storage temperature min.	-20 °C
Storage temperature max.	70 °C
<b>Connection type 2</b>	
Connection type 1	A-D
Connection type 2	ohne AUX
Family construction form	M12
Gender	female
Color contact carrier	black
Coding	A
No. of poles	5
PIN 1	Usens +
PIN 2	DI
PIN 3	Usens -
PIN 4	DI
PIN 5	n.c.
Family construction form	M12
Gender	male
Color contact carrier	black
Coding	A
No. of poles	4
PIN 1	AS-i +
PIN 2	n.c.
PIN 3	AS-i -
PIN 4	n.c.

# Mouser Electronics

Authorized Distributor

Click to View Pricing, Inventory, Delivery & Lifecycle Information:

[Murrelektronik:](#)

[56424](#)