

## MASI68 I/O MODULE

4 digital inputs, 3 digital outputs

Art.No.: 56418

Weight: 0.18

Country of origin: CZ

Model designation: MASI68 DI4/0,2A DO3/0,5A AB 7xM8

Compact module

DI4 - 0.19 A DO3 - 0.5 A (C) - 7x M8 (AB)

Connection cables are in the online shop under "Connection Technology".

Housing fully potted.

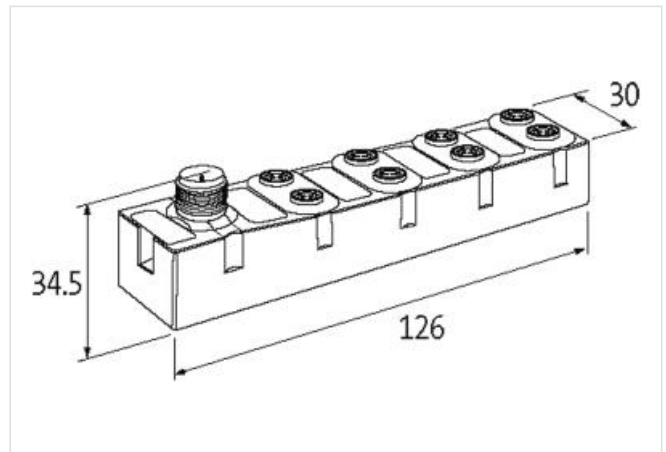
24 V DC external (18...30.2 V DC) EN 61131-2

### Link to Product

#### Illustration



Product may differ from Image



#### Commercial data

ECLASS-6.0	27242604
ECLASS-6.1	27242604
ECLASS-7.0	27242604
ECLASS-8.0	27242604
ECLASS-9.0	27242604
ECLASS-10.1	27242604
ECLASS-11.1	27242604
ECLASS-12.0	27242604
ETIM-5.0	EC001599
customs tariff number	85176200
GTIN	4048879048965
Packaging unit	1

#### Electrical data | Supply

Bus voltage AS-Interface DC min.	26,5 V
Bus voltage AS-Interface DC max.	31,6 V
Current consumption AS-i port max.	250 mA
Total current max.	1,5 A

Electrical data   Input	
Overload resistant	yes
Short-circuit protected	yes
Type input	PNP, for 3-wire sensors or mechanical switches
Current carrying capacity max.	0,19 A
Electrical data   Output	
Overload resistant	yes
Short-circuit protected	yes
Output current per pin max.	0,5 A
Industrial communication   Bus data	
Address setting type	M12 connection and programming device, Master
Slave address range	(0), 1 A...31 A, 1 B...31 B
Industrial communication   AS-Interface	
Profile (IO.ID.ID2)	S-7.A.0
Diagnostics	
Diagnostic	No voltage
Diagnostic via LED	per module
LED display	Ethernet connection/data traffic
Device protection   Electrical	
Degree of protection (EN IEC 60529)	IP68
Mechanical data   Mounting data	
Mounting method	screwed
Height	126 mm
Width	30 mm
Depth	34,5 mm
Environmental characteristics   Climatic	
Operating temperature min.	-20 °C
Operating temperature max.	60 °C
Storage temperature min.	-20 °C
Storage temperature max.	70 °C
Connection type 4	
Connection type 1	B D
Connection type 2	AUX
Connection type 3	F
Connection type 4	H
Family construction form	M8
Gender	female
Color contact carrier	black
Coding	A
No. of poles	3
PIN 1	Usens +
PIN 3	Usens -
PIN 4	DI
Family construction form	M12
Gender	male
Color contact carrier	black
Coding	A
No. of poles	4
PIN 1	AS-i +
PIN 2	0 V AUX POWER
PIN 3	AS-i -

PIN 4	24 V DC AUX POWER
Family construction form	M8
Gender	female
Color contact carrier	black
Coding	A
No. of poles	3
PIN 1	n.c.
PIN 3	0 V
PIN 4	DO
Family construction form	M8
Gender	female
Color contact carrier	black
Coding	A
No. of poles	3
PIN 1	n.c.
PIN 3	n.c.
PIN 4	n.c.

# Mouser Electronics

Authorized Distributor

Click to View Pricing, Inventory, Delivery & Lifecycle Information:

[Murrelektronik:](#)

[56418](#)