

MASI67 I/O MODULE K3

8 digital inputs, 8 digital, passive safety outputs

Art.No.: 56415

Weight: 0.34

Country of origin: CZ

Model designation: MASI67 DI8/0,34A DO8/1,6A AB K3 8xM12

Digital inputs/outputs

DI8 - 0.34 A DO8 - 1.6 A - 8x M12 (AB) (K3)

Output groups up to PLd (EN ISO 13849-1) can be switched off via safety relays

Double assignment of M12 females, PIN 2 + 4

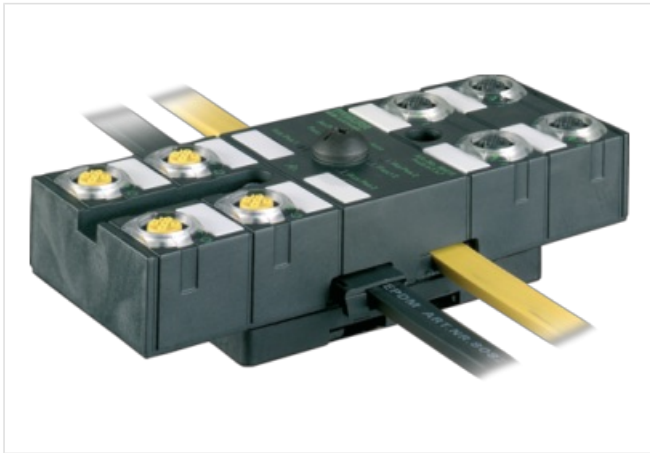
Connection cables are in the online shop under "Connection Technology".

Housing fully potted.

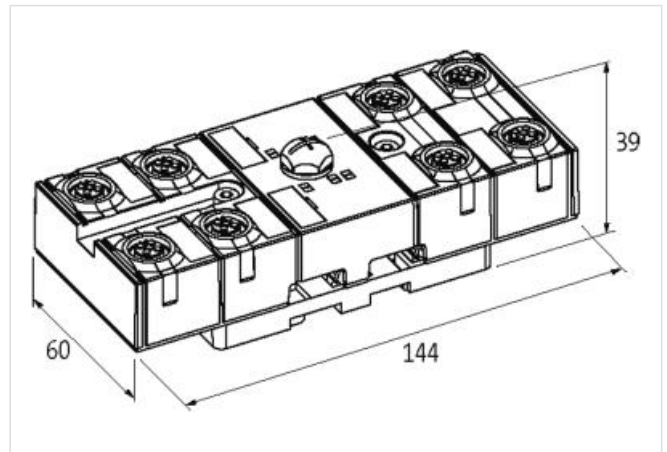
24 V DC external (18...30.2 V DC) EN 61131-2, connection via black AS-Interface profile cable, 2 safely separated supplies possible

Link to Product

Illustration



Product may differ from Image



Commercial data

ECLASS-6.0	27371604
ECLASS-6.1	27242604
ECLASS-7.0	27242604
ECLASS-8.0	27242604
ECLASS-9.0	27242604
ECLASS-10.1	27242604
ECLASS-11.1	27242604
ECLASS-12.0	27242604
ETIM-5.0	EC001599
customs tariff number	85176200
GTIN	4048879048989
Packaging unit	1

Electrical data | Supply

Bus voltage AS-Interface DC min.	26,5 V
Bus voltage AS-Interface DC max.	31,6 V
Current consumption AS-i port max.	440 mA
Total current max.	8 A

Electrical data | Input

Overload resistant	yes
Short-circuit protected	yes
Type input	PNP, for 3-wire sensors or mechanical switches
Current carrying capacity max.	0,34 A

Electrical data | Output

Overload resistant	yes
Short-circuit protected	yes
Output current per pin max.	1,6 A

Industrial communication | Bus data

Address setting type	Addressing socket, Master
Slave address range	(0), 1 A...31 A, 1 B...31 B

Industrial communication | AS-Interface

Profile (IO.ID.ID2)	2x S-7.A.7
---------------------	------------

Diagnostics

Diagnostic	No voltage
Diagnostic via LED	per module
LED display	Ethernet connection/data traffic

Installation | Connection

Double assignment M12 female	yes
------------------------------	-----

Device protection | Electrical

Degree of protection (EN IEC 60529)	IP67
-------------------------------------	------

Mechanical data | Mounting data

Mounting method	screwed, geschnappt
Suitable for mounting type	mounting rail, (EN 60715)
Height	144 mm
Width	72 mm
Depth	39 mm

Environmental characteristics | Climatic

Operating temperature min.	-20 °C
Operating temperature max.	60 °C
Storage temperature min.	-20 °C
Storage temperature max.	70 °C

Connection type 2

Family construction form	M12
Gender	female
Color contact carrier	black
Coding	A
No. of poles	5
PIN 1	n.c.
PIN 2	DO
PIN 3	0 V
PIN 4	DO
PIN 5	PE
Family construction form	M12
Gender	female

Color contact carrier	black
Coding	A
No. of poles	5
PIN 1	Usens +
PIN 2	DI
PIN 3	Usens -
PIN 4	DI
PIN 5	n.c.

Mouser Electronics

Authorized Distributor

Click to View Pricing, Inventory, Delivery & Lifecycle Information:

[Murrelektronik:](#)

[56415](#)