

MASI67 I/O MODULE

4 digital inputs

Art.No.: 56413

Weight: 0.18

Country of origin: CZ

Model designation: MASI67 DI4/0,2A AB Y 4XM12

Digital inputs

DI4 - 0.2 A (AB) - 4× M12

Y-wiring

Connection cables are in the online shop under "Connection Technology".

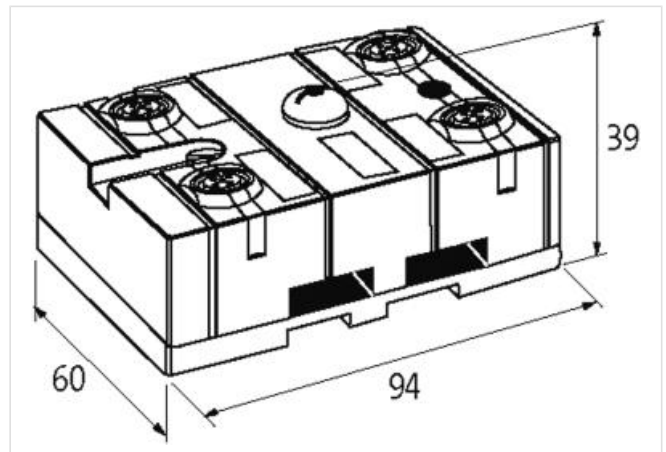
Housing fully potted.

[Link to Product](#)

Illustration



Product may differ from Image



Commercial data

ECLASS-6.0	27242604
ECLASS-6.1	27242604
ECLASS-7.0	27242604
ECLASS-8.0	27242604
ECLASS-9.0	27242604
ECLASS-10.1	27242604
ECLASS-11.1	27242604
ECLASS-12.0	27242604
ETIM-5.0	EC001599
customs tariff number	85176200
GTIN	4048879049009
Packaging unit	1

Electrical data

Y-wiring	yes
----------	-----

Electrical data | Supply

Bus voltage AS-Interface DC min.	26,5 V
----------------------------------	--------

Bus voltage AS-Interface DC max.	31,6 V
Current consumption AS-i port max.	250 mA
Electrical data Input	
Overload resistant	yes
Short-circuit protected	yes
Type input	PNP, for 3-wire sensors or mechanical switches
Current carrying capacity max.	0,17 A
Industrial communication Bus data	
Address setting type	Addressing socket, Master
Slave address range	(0), 1 A...31 A, 1 B...31 B
Industrial communication AS-Interface	
Profile (IO.ID.ID2)	S-0.A.2
Diagnostics	
Diagnostic via BUS	yes
Diagnostic via LED	per module
LED display	Ethernet connection/data traffic
Device protection Electrical	
Degree of protection (EN IEC 60529)	IP67
Mechanical data Mounting data	
Mounting method	screwed, geschnappt
Suitable for mounting type	mounting rail, (EN 60715)
Height	94 mm
Width	60 mm
Depth	39 mm
Environmental characteristics Climatic	
Operating temperature min.	-20 °C
Operating temperature max.	60 °C
Storage temperature min.	-20 °C
Storage temperature max.	70 °C
Connection type 2	
Connection type 1	2
Connection type 2	3
Family construction form	M12
Gender	female
Color contact carrier	black
Coding	A
No. of poles	5
PIN 1	Usens +
PIN 2	DI
PIN 3	Usens -
PIN 4	DI
PIN 5	n.c.
Family construction form	M12
Gender	female
Color contact carrier	black
Coding	A
No. of poles	5
PIN 1	Usens +
PIN 2	n.c.
PIN 3	Usens -
PIN 4	DI

PIN 5

n.c.

Mouser Electronics

Authorized Distributor

Click to View Pricing, Inventory, Delivery & Lifecycle Information:

[Murrelektronik:](#)

[56413](#)