

MASI67 INSTALLATION TECHNOLOGY

Conversion from profile cable to 4xM12

Art.No.: 56412

Weight: 0.18

Country of origin: CZ

Model designation: MASI67 Passivverteiler 4xM12

MASI67 passive distribution box

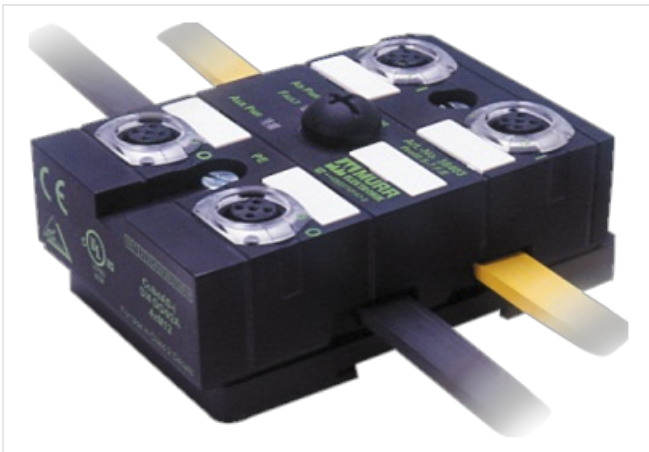
2x profile cable to 4x M12 (female)

Connection cables are in the online shop under "Connection Technology".

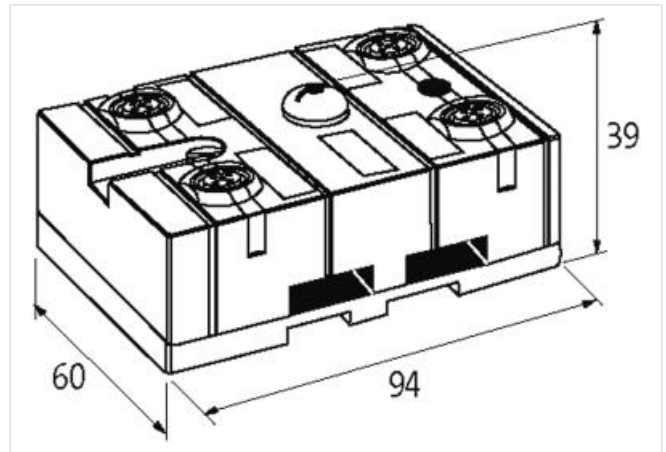
Housing fully potted.

[Link to Product](#)

Illustration



Product may differ from Image



Commercial data

ECLASS-6.0	27279219
ECLASS-6.1	27279219
ECLASS-7.0	27279219
ECLASS-8.0	27279219
ECLASS-9.0	27440108
ECLASS-10.1	27440111
ECLASS-11.1	27440111
ECLASS-12.0	27440111
ETIM-5.0	EC001600
customs tariff number	85369010
GTIN	4048879049016
Packaging unit	1

Electrical data | Supply

Operating voltage external DC min.	10 V
Operating voltage external DC max.	48 V
Bus voltage AS-Interface DC min.	26,5 V
Bus voltage AS-Interface DC max.	31,6 V

Current consumption AS-i port max.	4000 mA
Total current max.	8 A

Device protection | Electrical

Degree of protection (EN IEC 60529)	IP67
-------------------------------------	------

Mechanical data | Mounting data

Mounting method	screwed, geschnappt
Suitable for mounting type	mounting rail, (EN 60715)
Height	94 mm
Width	60 mm
Depth	39 mm

Environmental characteristics | Climatic

Operating temperature min.	-20 °C
Operating temperature max.	60 °C
Storage temperature min.	-40 °C
Storage temperature max.	80 °C

Connection type 1

Connection type 1	Bus Out
Family construction form	M12
Gender	female
Color contact carrier	black
Coding	A
No. of poles	5
PIN 1	AS-i +
PIN 2	Aux Power -
PIN 3	AS-i -
PIN 4	Aux Power +
PIN 5	n.c.

Mouser Electronics

Authorized Distributor

Click to View Pricing, Inventory, Delivery & Lifecycle Information:

[Murrelektronik:](#)

[56412](#)