

CUBE20 DIGITAL OUTPUT MODULE

32 digital outputs

Art.No.: 56118

Weight: 0.258

Country of origin: CZ

Model designation: Cube20 DO32

Expansion module

Digital outputs

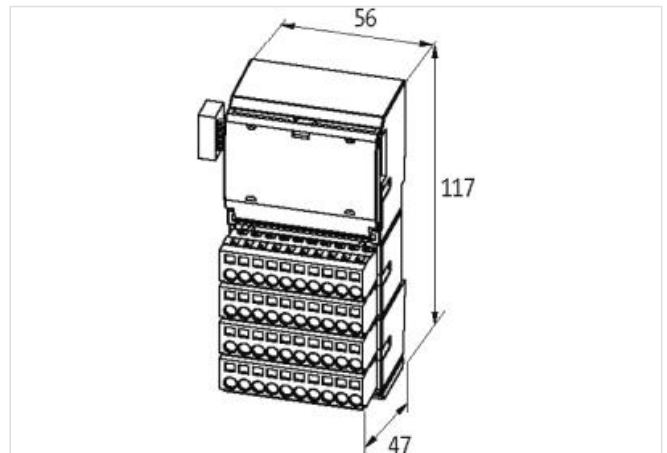
DO32 - (E)

[Link to Product](#)

Illustration



Product may differ from Image



Commercial data

ECLASS-6.0	27242604
ECLASS-6.1	27242604
ECLASS-7.0	27242604
ECLASS-8.0	27242604
ECLASS-9.0	27242604
ECLASS-10.1	27242604
ECLASS-11.1	27242604
ECLASS-12.0	27242604
ETIM-5.0	EC001599
customs tariff number	85176200
GTIN	4048879049290
Packaging unit	1

Electrical data | Supply

Norm operating voltage	EN 61131-2
Operating voltage UA DC	24 V
Current consumption max.	25 mA
Total current UA max.	12 A
module supply	via system connection

Electrical data Output	
Overload resistant	yes
Short-circuit protected	yes
Output current per pin max.	0,5 A
Lamp load	10 W
Diagnostics	
Diagnostic	Under voltage
Diagnostic via BUS	per module and channel
Diagnostic via LED	per module and channel
Short circuit diagnosis	yes
LED display	Ethernet connection/data traffic
Overload diagnosis	yes
Installation	
Connection cross section max.	2,5 mm ²
Device protection Electrical	
Degree of protection (EN IEC 60529)	IP20
Galvanic separation (operating voltage)	yes
Galvanic separation output/output	yes
Mechanical data Mounting data	
Mounting method	geschnappt
Suitable for mounting type	mounting rail, (EN 60715)
Height	117 mm
Width	56 mm
Depth	47 mm
Environmental characteristics Climatic	
Operating temperature min.	0 °C
Operating temperature max.	55 °C
Storage temperature min.	-20 °C
Storage temperature max.	85 °C
Connection type 4	
Connection type 1	X0
Connection type 2	X1
Connection type 3	X2
Connection type 4	X3
Connection	Spring clamp terminals FK
Family construction form	terminal
Gender	female
Color contact carrier	colorless
No. of poles	10
PIN 1	DO 0
PIN 2	DO 1
PIN 3	DO 2
PIN 4	DO 3
PIN 5	DO 4
PIN 6	DO 5
PIN 7	DO 6
PIN 8	DO 7
PIN 9	UA 1
PIN 10	UA 1
Connection	Spring clamp terminals FK
Family construction form	terminal

Gender	female
Color contact carrier	colorless
No. of poles	10
PIN 1	DO 8
PIN 2	DO 9
PIN 3	DO 10
PIN 4	DO 11
PIN 5	DO 12
PIN 6	DO 13
PIN 7	DO 14
PIN 8	DO 15
PIN 9	0 V
PIN 10	0 V
Connection	Spring clamp terminals FK
Family construction form	terminal
Gender	female
Color contact carrier	colorless
No. of poles	10
PIN 1	DO 16
PIN 2	DO 17
PIN 3	DO 18
PIN 4	DO 19
PIN 5	DO 20
PIN 6	DO 21
PIN 7	DO 22
PIN 8	DO 23
PIN 9	UA 2
PIN 10	UA 2
Connection	Spring clamp terminals FK
Family construction form	terminal
Gender	female
Color contact carrier	colorless
No. of poles	10
PIN 1	DO 24
PIN 2	DO 25
PIN 3	DO 26
PIN 4	DO 27
PIN 5	DO 28
PIN 6	DO 29
PIN 7	DO 30
PIN 8	DO 31
PIN 9	0 V
PIN 10	0 V

Mouser Electronics

Authorized Distributor

Click to View Pricing, Inventory, Delivery & Lifecycle Information:

[Murrelektronik:](#)

[56118](#)