

CUBE20 DIGITAL INPUT MODULE

32 digital inputs

Art.No.: 56112

Weight: 0.243

Country of origin: CZ

Model designation: Cube20 DI32

Expansion module

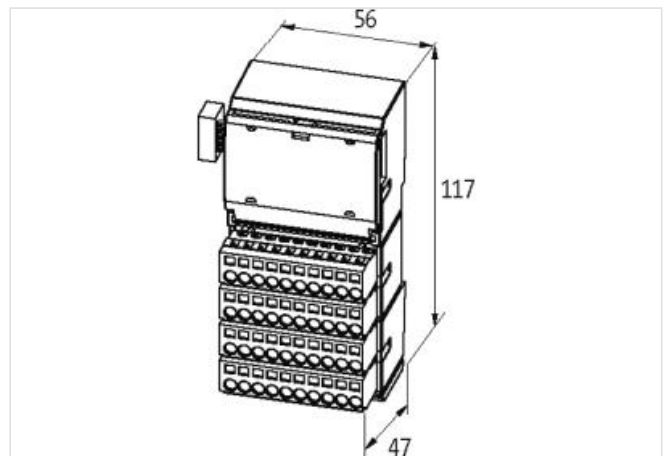
DI32 - (E)

[Link to Product](#)

Illustration



Product may differ from Image



Commercial data

ECLASS-6.0	27242604
ECLASS-6.1	27242604
ECLASS-7.0	27242604
ECLASS-8.0	27242604
ECLASS-9.0	27242604
ECLASS-10.1	27242604
ECLASS-11.1	27242604
ECLASS-12.0	27242604
ETIM-5.0	EC001599
customs tariff number	85176200
GTIN	4048879049344
Packaging unit	1

Electrical data | Supply

Norm operating voltage	EN 61131-2
Operating voltage US DC	24 V
Current consumption max.	25 mA
Total current UA max.	12 A
module supply	via system connection

Electrical data | Input

Type input	PNP (EN 61131-2)
Input filter time	1 ms
Current carrying capacity max.	0,7 A
Diagnostics	
Diagnostic	Under voltage
Diagnostic via BUS	per module and channel
Diagnostic via LED	per module
Short circuit diagnosis	yes
LED display	Ethernet connection/data traffic
Overload diagnosis	yes
Installation	
Connection cross section max.	2,5 mm ²
Device protection Electrical	
Degree of protection (EN IEC 60529)	IP20
Galvanic separation (operating voltage)	yes
Galvanic separation input/input	yes
Mechanical data Mounting data	
Mounting method	geschnappt
Suitable for mounting type	mounting rail, (EN 60715)
Height	117 mm
Width	56 mm
Depth	47 mm
Environmental characteristics Climatic	
Operating temperature min.	0 °C
Operating temperature max.	55 °C
Storage temperature min.	-20 °C
Storage temperature max.	85 °C
Connection type 4	
Connection type 1	X0
Connection type 2	X1
Connection type 3	X2
Connection type 4	X3
Connection	Spring clamp terminals FK
Family construction form	terminal
Gender	female
Color contact carrier	colorless
No. of poles	10
PIN 1	DI 0
PIN 2	DI 1
PIN 3	DI 2
PIN 4	DI 3
PIN 5	DI 4
PIN 6	DI 5
PIN 7	DI 6
PIN 8	DI 7
PIN 9	UI
PIN 10	UI
Connection	Spring clamp terminals FK
Family construction form	terminal
Gender	female
Color contact carrier	colorless

No. of poles	10
PIN 1	DI 8
PIN 2	DI 9
PIN 3	DI 10
PIN 4	DI 11
PIN 5	DI 12
PIN 6	DI 13
PIN 7	DI 14
PIN 8	DI 15
PIN 9	0 V
PIN 10	0 V
Connection	Spring clamp terminals FK
Family construction form	terminal
Gender	female
Color contact carrier	colorless
No. of poles	10
PIN 1	DI 16
PIN 2	DI 17
PIN 3	DI 18
PIN 4	DI 19
PIN 5	DI 20
PIN 6	DI 21
PIN 7	DI 22
PIN 8	DI 23
PIN 9	US
PIN 10	US
Connection	Spring clamp terminals FK
Family construction form	terminal
Gender	female
Color contact carrier	colorless
No. of poles	10
PIN 1	DI 24
PIN 2	DI 25
PIN 3	DI 26
PIN 4	DI 27
PIN 5	DI 28
PIN 6	DI 29
PIN 7	DI 30
PIN 8	DI 31
PIN 9	0 V
PIN 10	0 V

Mouser Electronics

Authorized Distributor

Click to View Pricing, Inventory, Delivery & Lifecycle Information:

[Murrelektronik:](#)

[56112](#)