

MVK+ MPNIO D18 DO8 IRT PUSH PULL

only for Daimler Projects !

Art.No.: 555290

Weight: 0.975

Country of origin: DE

Model designation: MVK+ MPNIO D18 DO8 IRT PP

Digital inputs/outputs

D18 DO8 (IRT)

Ethernet 10/100 Mbit/s; Push Pull RJ45 Data connector

Push Pull Power connector, max. 12 A

M12, 5-pole, A-coded

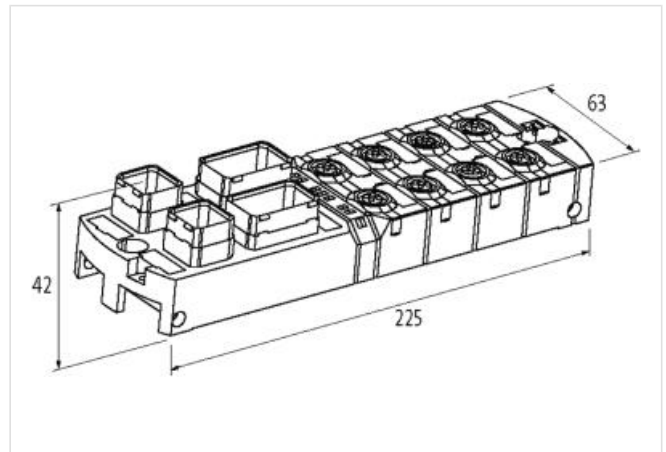
Galvanic isolation

Connection cables are in the online shop under "Connection Technology".

Housing fully potted.

Link to Product**Illustration**

Product may differ from Image

**Commercial data**

| | |
|-----------------------|---------------|
| ECLASS-6.0 | 27242604 |
| ECLASS-6.1 | 27242604 |
| ECLASS-7.0 | 27242604 |
| ECLASS-8.0 | 27242604 |
| ECLASS-9.0 | 27242604 |
| ECLASS-10.1 | 27242604 |
| ECLASS-11.1 | 27242604 |
| ECLASS-12.0 | 27242604 |
| ETIM-5.0 | EC001599 |
| customs tariff number | 85389099 |
| GTIN | 4048879563376 |
| Packaging unit | 1 |

Electrical data | Supply

| | |
|-------------------------|------------|
| Norm operating voltage | EN 61131-2 |
| Operating voltage US DC | 24 V |
| Operating voltage UA DC | 24 V |
| Total current UA max. | 12 A |
| Total current US max. | 12 A |

Electrical data | Input

| | |
|----------------------------------|--|
| Overload resistant | yes |
| Short-circuit protected | yes |
| Type input | PNP, for 3-wire sensors or mechanical switches |
| Sensor current US per input max. | 0,2 A |

Electrical data | Output

| | |
|-----------------------------|------|
| Overload resistant | yes |
| Short-circuit protected | yes |
| Output current per pin max. | 2 A |
| Lamp load | 10 W |

Industrial communication

| | |
|--------------------|----------|
| Supported protocol | PROFINET |
|--------------------|----------|

Industrial communication | Profinet

| | |
|---|-------|
| Number of active connections (IO controller) max. | 2 |
| FSU (Fast-Start-Up) | yes |
| Fast start up time max. | 0,5 s |
| IRT (network communication) | yes |
| MRP client | yes |
| PROFINET Netload Class | III |
| PROFINET addressing | DCP |
| PROFINET conformance class | C |
| PROFINET specification | V2.2 |
| Shared device/input | yes |

Diagnostics

| | |
|-------------------------|----------------------------------|
| Actuator warning | per channel via LED and BUS |
| Diagnostic | No voltage, Under voltage |
| Diagnostic via BUS | per module and channel |
| Diagnostic via LED | per module and channel |
| Short circuit diagnosis | yes |
| LED display | Ethernet connection/data traffic |
| Cable break | per port |
| Overload diagnosis | yes |

Device protection | Electrical

| | |
|-------------------------------------|------|
| Degree of protection (EN IEC 60529) | IP67 |
|-------------------------------------|------|

Mechanical data | Mounting data

| | |
|----------------------------|-----------------------|
| Suitable for mounting type | 2-hole screw mounting |
| Height | 42,7 mm |
| Width | 63 mm |
| Depth | 225 mm |

Environmental characteristics | Climatic

| | |
|----------------------------|--------|
| Operating temperature min. | 0 °C |
| Operating temperature max. | 55 °C |
| Storage temperature min. | -20 °C |
| Storage temperature max. | 70 °C |

Connection type 4

| | |
|--------------------------|--------------|
| Family construction form | M12 |
| Gender | female |
| Color contact carrier | black |
| Coding | A |
| No. of poles | 5 |
| PIN 1 | n.c. |
| PIN 2 | DO |
| PIN 3 | 0 V (UA) |
| PIN 4 | DO |
| PIN 5 | PE |
| Family construction form | M12 |
| Gender | female |
| Color contact carrier | black |
| Coding | A |
| No. of poles | 5 |
| PIN 1 | 24 V DC (US) |
| PIN 2 | DI |
| PIN 3 | 0 V (US) |
| PIN 4 | DI |
| PIN 5 | PE |
| Family construction form | Push Pull |
| Gender | male |
| Color contact carrier | green |
| No. of poles | 5 |
| PIN 1 | 24 V DC (US) |
| PIN 2 | 0 V (US) |
| PIN 3 | 24 V DC (UA) |
| PIN 4 | 0 V (UA) |
| PIN 5 | PE |
| Family construction form | RJ45 |
| Gender | female |
| Color contact carrier | black |
| No. of poles | 8 |
| PIN 1 | TD + |
| PIN 2 | TD - |
| PIN 3 | RD + |
| PIN 4 | n.c. |
| PIN 5 | n.c. |
| PIN 6 | RD - |
| PIN 7 | n.c. |
| PIN 8 | n.c. |

Mouser Electronics

Authorized Distributor

Click to View Pricing, Inventory, Delivery & Lifecycle Information:

[Murrelektronik:](#)

[555290](#)