

## MVK I/O COMPACT MODULE, METAL

Profibus DP, 4 analog In / 8 multif. channels

Art.No.: 55293

Weight: 0.822

Country of origin: DE

Model designation: MVK-MP AI4 (U) DIO4 (DIO4)

Digital inputs/outputs

DIO4 DIO4 AI4

PROFIBUS 12 Mbit/s; M12, B-coded

7/8", 5-pole, 2x max. 9 A

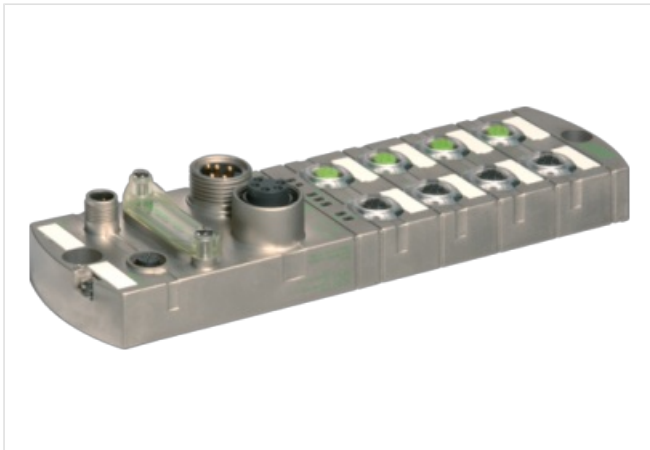
M12, 5-pole, A-coded

Connection cables are in the online shop under "Connection Technology".

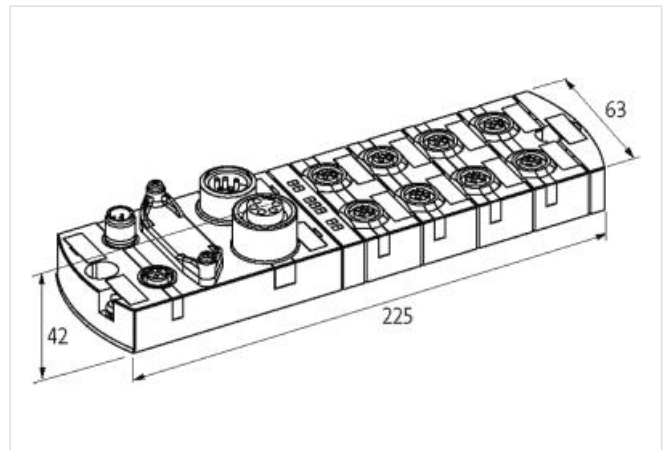
Housing fully potted.

### [Link to Product](#)

#### Illustration



Product may differ from image



#### Commercial data

ECLASS-6.0	27242604
ECLASS-6.1	27242602
ECLASS-7.0	27242602
ECLASS-8.0	27242602
ECLASS-9.0	27242602
ECLASS-10.1	27242602
ECLASS-11.1	27242602
ECLASS-12.0	27242602
ETIM-5.0	EC001597
customs tariff number	85389099
GTIN	4048879051583
Packaging unit	1

#### Electrical data | Supply

Norm operating voltage	EN 61131-2
Operating voltage US DC	24 V

The information in this Product-PDF has been compiled with the utmost care.

Liability for the correctness completeness and topicality of the information is restricted to gross negligence. Version: 2024-12-13

Murrelektronik GmbH | Falkenstr. 3 | 71570 Oppenweiler | Fon +49 (71 91) 47-0 | Fax +49 (71 91) 47-491000 | shop@murrelektronik.com | shop.murrelektronik.com

Operating voltage UA DC	24 V
Total current UA max.	9 A
Total current US max.	9 A
<b>Electrical data   Input</b>	
Overload resistant	yes
Type input	PNP, for 3-wire sensors or mechanical switches
Sensor current US per input max.	0,2 A
Conversion time analog input	7 ms
<b>Electrical data   Output</b>	
Actuator current UA per output max.	1,6 A
Lamp load	10 W
<b>Industrial communication   Bus data</b>	
Address range min.	1
Address range max.	99
Address setting type	Rotary switch
<b>Diagnostics</b>	
Actuator warning	per channel via LED and BUS
Diagnostic	No voltage, Under voltage
Diagnostic via BUS	per module and channel
Diagnostic via LED	per module and channel
Short circuit diagnosis	yes
LED display	Ethernet connection/data traffic
Overload diagnosis	yes
<b>Device protection   Electrical</b>	
Degree of protection (EN IEC 60529)	IP67
Overload resistant	yes
Short-circuit protected	yes
<b>Mechanical data   Mounting data</b>	
Suitable for mounting type	2-hole screw mounting
Height	42 mm
Width	63 mm
Depth	225 mm
<b>Environmental characteristics   Climatic</b>	
Operating temperature min.	0 °C
Operating temperature max.	55 °C
Storage temperature min.	-20 °C
Storage temperature max.	70 °C
<b>Connection type 6</b>	
Connection type 1	0-3
Connection type 2	4-7
Connection type 3	Bus In
Connection type 4	Bus Out
Connection type 5	Power In
Connection type 6	Power Out
Family construction form	M12
Gender	female
Color contact carrier	green
Coding	A
No. of poles	5
PIN 1	24 V DC (US)
PIN 2	A +

PIN 3	0 V
PIN 4	0 V
PIN 5	FE
Family construction form	M12
Gender	female
Color contact carrier	black
Coding	A
No. of poles	5
PIN 1	24 V DC (US)
PIN 2	DI / DO / Diag
PIN 3	0 V (US)
PIN 4	DI / DO
PIN 5	PE
Family construction form	M12
Gender	male
Color contact carrier	black
Coding	B
No. of poles	5
PIN 1	n.c.
PIN 2	A GN
PIN 3	n.c.
PIN 4	B RD
PIN 5	n.c.
Family construction form	M12
Gender	female
Color contact carrier	black
Coding	B
No. of poles	5
PIN 1	5 V 2
PIN 2	A GN
PIN 3	0 V 2
PIN 4	B RD
PIN 5	n.c.
Family construction form	7/8"
Gender	male
Color contact carrier	black
No. of poles	5
PIN 1	0 V (UA)
PIN 2	0 V (US)
PIN 3	PE
PIN 4	24 V DC (US)
PIN 5	24 V DC (UA)
Family construction form	7/8"
Gender	female
Color contact carrier	black
No. of poles	5
PIN 1	0 V (UA)
PIN 2	0 V (US)
PIN 3	PE
PIN 4	24 V DC (US)
PIN 5	24 V DC (UA)

# Mouser Electronics

Authorized Distributor

Click to View Pricing, Inventory, Delivery & Lifecycle Information:

[Murrelektronik:](#)

[55293](#)