

MVK+ MPNIO D18 D18 PUSH PULL

Use only as spare part! newer version! – contact Murrelektronik

Art.No.: 55268

Weight: 0.975

Country of origin: DE

Model designation: MVK+ MPNIO D18 D18 Push Pull

Digital inputs

D18 D18

Ethernet 10/100 Mbit/s; Push Pull RJ45 Data connector

Push Pull Power connector, max. 12 A

M12, 5-pole, A-coded

FSU (Fast-Start-Up)

Connection cables are in the online shop under "Connection Technology".

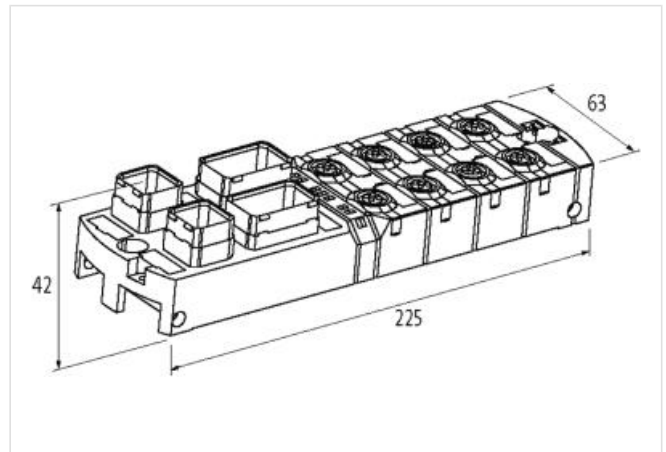
Housing fully potted.

Link to Product

Illustration



Product may differ from Image



Commercial data

ECLASS-6.0	27242604
ECLASS-6.1	27242604
ECLASS-7.0	27242604
ECLASS-8.0	27242604
ECLASS-9.0	27242604
ECLASS-10.1	27242604
ECLASS-11.1	27242604
ECLASS-12.0	27242604
ETIM-5.0	EC001599
customs tariff number	85176200
GTIN	4048879051736
Packaging unit	1

Electrical data | Supply

Norm operating voltage	EN 61131-2
Operating voltage US DC	24 V
Total current UA max.	12 A
Total current US max.	12 A

Electrical data | Input

Overload resistant	yes
Short-circuit protected	yes
Type input	PNP, for 3-wire sensors or mechanical switches
Sensor current US per input max.	0,2 A

Industrial communication

Supported protocol	PROFINET
--------------------	----------

Industrial communication | Profinet

FSU (Fast-Start-Up)	yes
Fast start up time max.	0,5 s
PROFINET addressing	DCP
PROFINET conformance class	B
PROFINET specification	V2.2

Diagnostics

Actuator warning	per channel via LED and BUS
Diagnostic	No voltage, Under voltage
Diagnostic via BUS	per module and channel
Diagnostic via LED	per module and channel
Short circuit diagnosis	yes
LED display	Ethernet connection/data traffic
Cable break	per port
Overload diagnosis	yes

Device protection | Electrical

Degree of protection (EN IEC 60529)	IP67
-------------------------------------	------

Mechanical data | Mounting data

Suitable for mounting type	2-hole screw mounting
Height	42,7 mm
Width	63 mm
Depth	225 mm

Environmental characteristics | Climatic

Operating temperature min.	0 °C
Operating temperature max.	55 °C
Storage temperature min.	-20 °C
Storage temperature max.	70 °C

Connection type 3

Connection type 1	4-7
Connection type 2	Port1, Port2
Connection type 3	Power In, Power Out
Family construction form	M12
Gender	female
Color contact carrier	black
Coding	A
No. of poles	5
PIN 1	24 V DC (US)
PIN 2	DI / Diag
PIN 3	0 V (US)
PIN 4	DI

PIN 5	PE
Family construction form	RJ45
Gender	female
Color contact carrier	black
No. of poles	8
PIN 1	TD +
PIN 2	TD -
PIN 3	RD +
PIN 4	n.c.
PIN 5	n.c.
PIN 6	RD -
PIN 7	n.c.
PIN 8	n.c.
Family construction form	Push Pull
Gender	male
Color contact carrier	green
No. of poles	5
PIN 1	24 V DC (US)
PIN 2	0 V (US)
PIN 3	24 V DC (UA)
PIN 4	0 V (UA)
PIN 5	PE

Mouser Electronics

Authorized Distributor

Click to View Pricing, Inventory, Delivery & Lifecycle Information:

[Murrelektronik:](#)

[55268](#)