

MVK-MPNIO DIO12 DIO4/IOL4 M12L 4P

ProfiNet, Compact module, metal

Art.No.: 55162

Weight: 0.925

Country of origin: DE

Model designation: MVK-MPNIO DIO12 DIO4/IOL4 M12L 4P

Digital inputs/outputs

DIO12 DIO4/IOL4 (IRT)

Ethernet 10/100 Mbit/s; M12, D-coded

M12 Power, 4-pole, L-coded

M12, 5-pole, A-coded

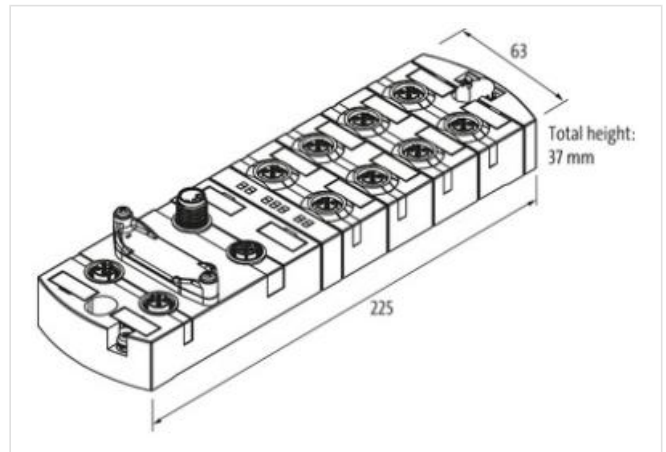
IO-Link Master V1.1.2

Connection cables are in the online shop under "Connection Technology".

Housing fully potted.

[Link to Product](#)**Illustration**

Product may differ from Image

**Commercial data**

ECLASS-6.0	27242604
ECLASS-6.1	27242604
ECLASS-7.0	27242604
ECLASS-8.0	27242604
ECLASS-9.0	27242604
ECLASS-10.1	27242604
ECLASS-11.1	27242604
ECLASS-12.0	27242604
ETIM-5.0	EC001599
customs tariff number	85389099
GTIN	4048879843706
Packaging unit	1

Electrical data | Supply

The information in this Product-PDF has been compiled with the utmost care.

Liability for the correctness completeness and topicality of the information is restricted to gross negligence. Version: 2024-12-12

Murrelektronik GmbH | Falkenstr a e 3 | 71570 Oppenweiler | Fon +49 (71 91) 47-0 | Fax +49 (71 91) 47-491000 | shop@murrelektronik.com | shop.murrelektronik.com

Norm operating voltage	EN 61131-2
Operating voltage US DC	24 V
Operating voltage UA DC	24 V
Total current UA max.	16 A
Total current US max.	16 A

Electrical data | Input

Overload resistant	yes
Short-circuit protected	yes
Type input	PNP, for 3-wire sensors or mechanical switches, IO-Link Devices
Sensor current US per input max.	0,2 A
Sensor current US per IO-Link port max.	1 A

Electrical data | Output

Overload resistant	yes
Short-circuit protected	yes
Output current per pin max.	1,6 A
Lamp load	10 W
Total current outputs max.	9 A

Industrial communication

Supported protocol	PROFINET
--------------------	----------

Industrial communication | Profinet

Number of active connections (IO controller) max.	2
FSU (Fast-Start-Up)	yes
Fast start up time max.	0,5 s
IRT (network communication)	yes
MRP client	yes
PROFINET Netload Class	III
PROFINET addressing	DCP
PROFINET conformance class	C
PROFINET specification	V2.3
Shared device/input	yes

Industrial communication | IO-Link

IO-Link type	4x Master
Port Class	B
IO-Link revision ID	V1.1.2
IO-Link transmission rate	COM1, COM2, COM3
IO-Link process data length input	32 Bytes
IO-Link process data length output	32 Bytes
Automatic baudrate detection	yes

Diagnostics

Actuator warning	per channel via LED and BUS
Diagnostic via BUS	per module and channel
Diagnostic via LED	per module and channel
IO-Link events	No voltage, Undervoltage supply
Short circuit diagnosis	yes
LED display	Ethernet connection/data traffic
Cable break	per port
Overload diagnosis	yes

Device protection | Electrical

Degree of protection (EN IEC 60529)	IP67
-------------------------------------	------

Mechanical data | Mounting data

Suitable for mounting type	2-hole screw mounting
Height	37 mm
Width	63 mm
Depth	225 mm

Environmental characteristics | Climatic

Operating temperature min.	-25 °C
Operating temperature max.	60 °C
Storage temperature min.	-25 °C
Storage temperature max.	70 °C

Connection type 5

Connection type 1	X0-X3
Connection type 2	X4-X7
Connection type 3	XD1
Connection type 4	XD2
Connection type 5	XF2
Family construction form	M12
Gender	female
Color contact carrier	black
Coding	A
No. of poles	5
PIN 1	24 V DC
PIN 2	DI / DO
PIN 3	0 V
PIN 4	DI / DO
PIN 5	PE
Family construction form	M12
Gender	female
Color contact carrier	gray
Coding	A
No. of poles	5
PIN 1	24 V DC
PIN 2	DI / DO
PIN 3	0 V
PIN 4	DI / DO / IO-Link
PIN 5	0 V
Family construction form	M12
Gender	male
Color contact carrier	black
Coding	L
No. of poles	5
PIN 1	24 V DC (US)
PIN 2	0 V
PIN 3	0 V
PIN 4	24 V DC (UA)
PIN 5	n.c.
Family construction form	M12
Gender	female
Color contact carrier	black
Coding	L
No. of poles	4
PIN 1	24 V DC (US)
PIN 2	0 V
PIN 3	0 V

PIN 4	24 V DC (UA)
Mounting method	inserted, screwed
Tightening torque	0,6 Nm
Family construction form	M12
Gender	female
Color contact carrier	black
Coding	D
No. of poles	4
PIN 1	TD +
PIN 2	RD +
PIN 3	TD -
PIN 4	RD -

Mouser Electronics

Authorized Distributor

Click to View Pricing, Inventory, Delivery & Lifecycle Information:

[Murrelektronik:](#)

[55162](#)