

**MVK-MPNIO DIO14 DIO2/IOL2 M12L 4P**

ProfiNet, Compact module, metal

Art.No.: 55161

Weight: 0.925

Country of origin: DE

Model designation: MVK-MPNIO DIO14 DIO2/IOL2 M12L 4P

Digital inputs/outputs

DIO14 DIO2/IOL2 (IRT)

Ethernet 10/100 Mbit/s; M12, D-coded

M12 Power, 4-pole, L-coded

M12, 5-pole, A-coded

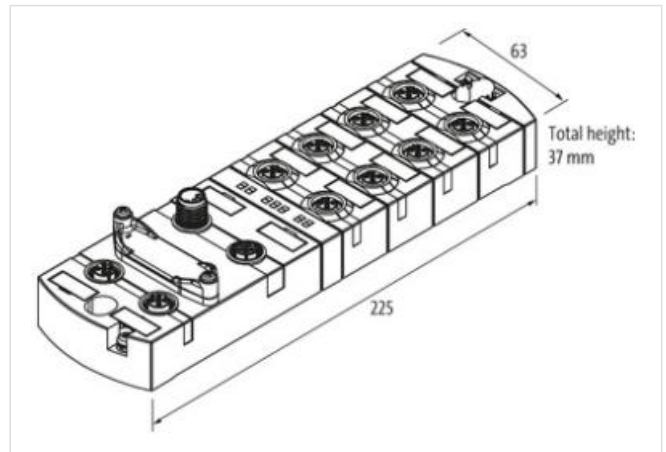
IO-Link Master V1.1.2

Connection cables are in the online shop under "Connection Technology".

Housing fully potted.

[Link to Product](#)**Illustration**

Product may differ from Image

**Commercial data**

|                       |               |
|-----------------------|---------------|
| ECLASS-6.0            | 27242604      |
| ECLASS-6.1            | 27242604      |
| ECLASS-7.0            | 27242604      |
| ECLASS-8.0            | 27242604      |
| ECLASS-9.0            | 27242604      |
| ECLASS-10.1           | 27242604      |
| ECLASS-11.1           | 27242604      |
| ECLASS-12.0           | 27242604      |
| ETIM-5.0              | EC001599      |
| customs tariff number | 85389099      |
| GTIN                  | 4048879735797 |
| Packaging unit        | 1             |

**Electrical data | Supply**

|                         |            |
|-------------------------|------------|
| Norm operating voltage  | EN 61131-2 |
| Operating voltage US DC | 24 V       |
| Operating voltage UA DC | 24 V       |
| Total current UA max.   | 16 A       |
| Total current US max.   | 16 A       |

#### Electrical data | Input

|                                         |                                                                 |
|-----------------------------------------|-----------------------------------------------------------------|
| Overload resistant                      | yes                                                             |
| Short-circuit protected                 | yes                                                             |
| Type input                              | PNP, for 3-wire sensors or mechanical switches, IO-Link Devices |
| Sensor current US per input max.        | 0,2 A                                                           |
| Sensor current US per IO-Link port max. | 1 A                                                             |

#### Electrical data | Output

|                             |       |
|-----------------------------|-------|
| Overload resistant          | yes   |
| Short-circuit protected     | yes   |
| Output current per pin max. | 1,6 A |
| Lamp load                   | 10 W  |
| Total current outputs max.  | 9 A   |

#### Industrial communication

|                    |          |
|--------------------|----------|
| Supported protocol | PROFINET |
|--------------------|----------|

#### Industrial communication | Profinet

|                                                   |       |
|---------------------------------------------------|-------|
| Number of active connections (IO controller) max. | 2     |
| FSU (Fast-Start-Up)                               | yes   |
| Fast start up time max.                           | 0,5 s |
| IRT (network communication)                       | yes   |
| MRP client                                        | yes   |
| PROFINET Netload Class                            | III   |
| PROFINET addressing                               | DCP   |
| PROFINET conformance class                        | C     |
| PROFINET specification                            | V2.3  |
| Shared device/input                               | yes   |

#### Industrial communication | IO-Link

|                                    |                  |
|------------------------------------|------------------|
| IO-Link type                       | 2x Master        |
| Port Class                         | B                |
| IO-Link revision ID                | V1.1.2           |
| IO-Link transmission rate          | COM1, COM2, COM3 |
| IO-Link process data length input  | 32 Bytes         |
| IO-Link process data length output | 32 Bytes         |
| Automatic baudrate detection       | yes              |

#### Diagnostics

|                         |                                  |
|-------------------------|----------------------------------|
| Actuator warning        | per channel via LED and BUS      |
| Diagnostic via BUS      | per module and channel           |
| Diagnostic via LED      | per module and channel           |
| IO-Link events          | No voltage, Undervoltage supply  |
| Short circuit diagnosis | yes                              |
| LED display             | Ethernet connection/data traffic |
| Cable break             | per port                         |
| Overload diagnosis      | yes                              |

#### Device protection | Electrical

|                                     |      |
|-------------------------------------|------|
| Degree of protection (EN IEC 60529) | IP67 |
|-------------------------------------|------|

#### Mechanical data | Mounting data

|                            |                       |
|----------------------------|-----------------------|
| Suitable for mounting type | 2-hole screw mounting |
| Height                     | 37 mm                 |
| Width                      | 63 mm                 |
| Depth                      | 225 mm                |

#### Environmental characteristics | Climatic

|                            |        |
|----------------------------|--------|
| Operating temperature min. | -25 °C |
| Operating temperature max. | 60 °C  |
| Storage temperature min.   | -25 °C |
| Storage temperature max.   | 70 °C  |

#### Connection type 5

|                          |                   |
|--------------------------|-------------------|
| Connection type 1        | X0-X5             |
| Connection type 2        | X6, X7            |
| Connection type 3        | XD1               |
| Connection type 4        | XD2               |
| Connection type 5        | XF2               |
| Family construction form | M12               |
| Gender                   | female            |
| Color contact carrier    | black             |
| Coding                   | A                 |
| No. of poles             | 5                 |
| PIN 1                    | 24 V DC           |
| PIN 2                    | DI / DO           |
| PIN 3                    | 0 V               |
| PIN 4                    | DI / DO           |
| PIN 5                    | PE                |
| Family construction form | M12               |
| Gender                   | female            |
| Color contact carrier    | gray              |
| Coding                   | A                 |
| No. of poles             | 5                 |
| PIN 1                    | 24 V DC           |
| PIN 2                    | DI / DO           |
| PIN 3                    | 0 V               |
| PIN 4                    | DI / DO / IO-Link |
| PIN 5                    | 0 V               |
| Family construction form | M12               |
| Gender                   | male              |
| Color contact carrier    | black             |
| Coding                   | L                 |
| No. of poles             | 5                 |
| PIN 1                    | 24 V DC (US)      |
| PIN 2                    | 0 V               |
| PIN 3                    | 0 V               |
| PIN 4                    | 24 V DC (UA)      |
| PIN 5                    | n.c.              |
| Family construction form | M12               |
| Gender                   | female            |
| Color contact carrier    | black             |
| Coding                   | L                 |
| No. of poles             | 4                 |
| PIN 1                    | 24 V DC (US)      |
| PIN 2                    | 0 V               |
| PIN 3                    | 0 V               |

|                          |                   |
|--------------------------|-------------------|
| PIN 4                    | 24 V DC (UA)      |
| Mounting method          | inserted, screwed |
| Tightening torque        | 0,6 Nm            |
| Family construction form | M12               |
| Gender                   | female            |
| Color contact carrier    | black             |
| Coding                   | D                 |
| No. of poles             | 4                 |
| PIN 1                    | TD +              |
| PIN 2                    | RD +              |
| PIN 3                    | TD -              |
| PIN 4                    | RD -              |

# Mouser Electronics

Authorized Distributor

Click to View Pricing, Inventory, Delivery & Lifecycle Information:

[Murrelektronik:](#)

[55161](#)