

MVK-MPNIO DIO16 M12L 4P

ProfiNet, Compact module, metal

Art.No.: 55160

Weight: 0.925

Country of origin: DE

Model designation: MVK-MPNIO DIO16 M12L 4P

Digital inputs/outputs

DIO16 (IRT)

Ethernet 10/100 Mbit/s; M12, D-coded

M12 Power, 4-pole, L-coded

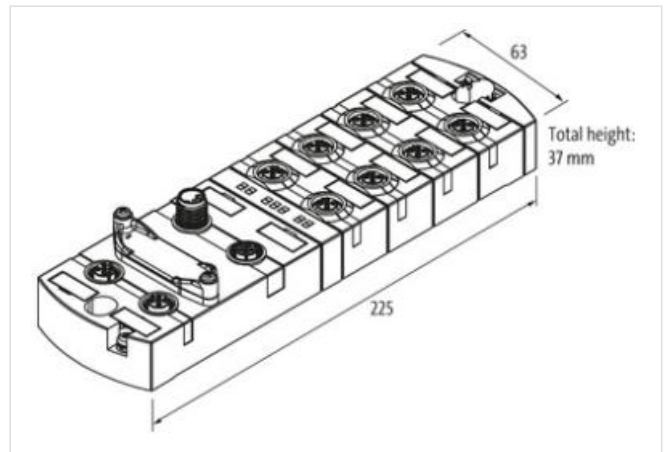
M12, 5-pole, A-coded

Connection cables are in the online shop under "Connection Technology".

Housing fully potted.

[Link to Product](#)**Illustration**

Product may differ from Image

**Commercial data**

ECLASS-6.0	27242604
ECLASS-6.1	27242604
ECLASS-7.0	27242604
ECLASS-8.0	27242604
ECLASS-9.0	27242604
ECLASS-10.1	27242604
ECLASS-11.1	27242604
ECLASS-12.0	27242604
ETIM-5.0	EC001599
customs tariff number	85389099
GTIN	4048879735780
Packaging unit	1

Electrical data | Supply

Norm operating voltage	EN 61131-2
Operating voltage US DC	24 V

The information in this Product-PDF has been compiled with the utmost care.

Liability for the correctness completeness and topicality of the information is restricted to gross negligence. Version: 2024-12-13

Murrelektronik GmbH | Falkenstrasse 3 | 71570 Oppenweiler | Fon +49 (71 91) 47-0 | Fax +49 (71 91) 47-491000 | shop@murrelektronik.com | shop.murrelektronik.com

Operating voltage UA DC	24 V
Total current UA max.	16 A
Total current US max.	16 A

Electrical data | Input

Overload resistant	yes
Short-circuit protected	yes
Type input	PNP, for 3-wire sensors or mechanical switches
Sensor current US per input max.	0,2 A

Electrical data | Output

Overload resistant	yes
Short-circuit protected	yes
Output current per pin max.	1,6 A
Lamp load	10 W
Total current outputs max.	9 A

Industrial communication

Supported protocol	PROFINET
--------------------	----------

Industrial communication | Profinet

Number of active connections (IO controller) max.	2
FSU (Fast-Start-Up)	yes
Fast start up time max.	0,5 s
IRT (network communication)	yes
MRP client	yes
PROFINET Netload Class	III
PROFINET addressing	DCP
PROFINET conformance class	C
PROFINET specification	V2.3
Shared device/input	yes

Diagnostics

Actuator warning	per channel via LED and BUS
Diagnostic	No voltage, Under voltage
Diagnostic via BUS	per module and channel
Diagnostic via LED	per module and channel
Short circuit diagnosis	yes
LED display	Ethernet connection/data traffic
Cable break	per port
Overload diagnosis	yes

Device protection | Electrical

Degree of protection (EN IEC 60529)	IP67
-------------------------------------	------

Mechanical data | Mounting data

Suitable for mounting type	2-hole screw mounting
Height	37 mm
Width	63 mm
Depth	225 mm

Environmental characteristics | Climatic

Operating temperature min.	-25 °C
Operating temperature max.	60 °C
Storage temperature min.	-25 °C
Storage temperature max.	70 °C

Connection type 4

Connection type 1	X4-X7
-------------------	-------

Connection type 2	XD1
Connection type 3	XD2
Connection type 4	XF2
Family construction form	M12
Gender	female
Color contact carrier	black
Coding	A
No. of poles	5
PIN 1	24 V DC
PIN 2	DI / DO
PIN 3	0 V
PIN 4	DI / DO
PIN 5	PE
Family construction form	M12
Gender	male
Color contact carrier	black
Coding	L
No. of poles	5
PIN 1	24 V DC (US)
PIN 2	0 V
PIN 3	0 V
PIN 4	24 V DC (UA)
PIN 5	n.c.
Family construction form	M12
Gender	female
Color contact carrier	black
Coding	L
No. of poles	4
PIN 1	24 V DC (US)
PIN 2	0 V
PIN 3	0 V
PIN 4	24 V DC (UA)
Mounting method	inserted, screwed
Tightening torque	0,6 Nm
Family construction form	M12
Gender	female
Color contact carrier	black
Coding	D
No. of poles	4
PIN 1	TD +
PIN 2	RD +
PIN 3	TD -
PIN 4	RD -

Mouser Electronics

Authorized Distributor

Click to View Pricing, Inventory, Delivery & Lifecycle Information:

[Murrelektronik:](#)

[55160](#)