

MIRO TR 24VDC SK 2A 5P OPTO-COUPLER MODULE

IN: 53 VDC - OUT: 48 VDC / 2 A

Art.No.: 52512

Weight: 0.03

Country of origin: CZ

Model designation: MIRO,TR,24VDC,SK,2A,5POL

Transistor 2 A

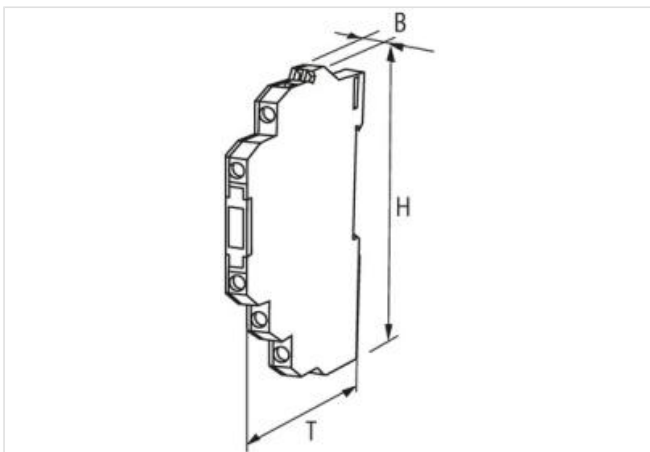
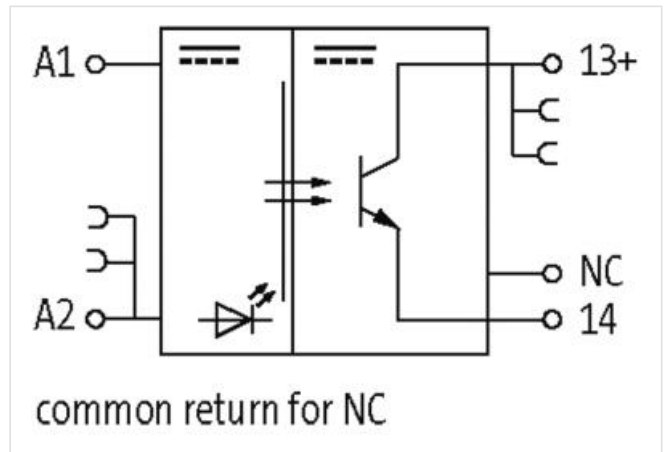
24 V DC

Inrush current limiting
with solder terminal

Screw terminals

[Link to Product](#)

Illustration



Product may differ from Image



Commercial data

ECLASS-6.0

27371604

ECLASS-6.1	27371604
ECLASS-7.0	27371604
ECLASS-8.0	27371604
ECLASS-9.0	27371604
ECLASS-10.1	27371604
ECLASS-11.1	27371604
ECLASS-12.0	27371604
ETIM-5.0	EC001504
customs tariff number	85414900
GTIN	4048879026840
Packaging unit	1

Electrical data | Input

Input voltage OFF DC min.	0 V
Input voltage OFF DC max.	5 V
Input voltage DC min.	10 V
Input voltage DC max.	53 V
Current input DC	7 mA

Electrical data | Output

Overload resistant	yes
Switch off delay max.	10 ms
Switch on delay max.	5 ms
Quiescent current OFF max.	0,1 mA
Switching frequency max.	10 Hz
Voltage switching DC min.	5 V
Switching voltage DC max.	48 V
Switching current min.	1 mA
Switching current max.	2 A
Voltage drop DC max.	0,35 V

Diagnostics

Status indication LED	yellow
-----------------------	--------

Device protection | Electrical

Rated surge voltage	2,5 kV
---------------------	--------

Device protection | Media

Flame resistance	flame retardant
------------------	-----------------

Mechanical data | Material data

Color housing	black
Material housing	Plastic

Mechanical data | Mounting data

Mounting method	geschnappt
Suitable for mounting type	mounting rail, (EN 60715)
Height	91 mm
Width	6,2 mm
Depth	71 mm

Environmental characteristics | Climatic

Operating temperature min.	-20 °C
Operating temperature max.	60 °C

Connection type 5

Connection	Screw terminals SK
Family construction form	terminal
Gender	female

Color contact carrier	green
No. of poles	1
PIN 1	13 +
Connection	Screw terminals SK
Family construction form	terminal
Gender	female
Color contact carrier	green
No. of poles	1
PIN 1	NC
Connection	Screw terminals SK
Family construction form	terminal
Gender	female
Color contact carrier	green
No. of poles	1
PIN 1	14
Connection	Screw terminals SK
Family construction form	terminal
Gender	female
Color contact carrier	green
No. of poles	1
PIN 1	A 1
Connection	Screw terminals SK
Family construction form	terminal
Gender	female
Color contact carrier	green
No. of poles	1
PIN 1	A 2

Mouser Electronics

Authorized Distributor

Click to View Pricing, Inventory, Delivery & Lifecycle Information:

[Murrelektronik:](#)

[52512](#)