

Miro off-delay Zeitrelais max.3-300 sec.

MIRO 6.2 TIMER OFF-DELAY

Art.No.: 52311

Weight: 0.035

Country of origin: CZ

Model designation: Miro off-delay Zeitrelais max.3-300 sec.

Relay output

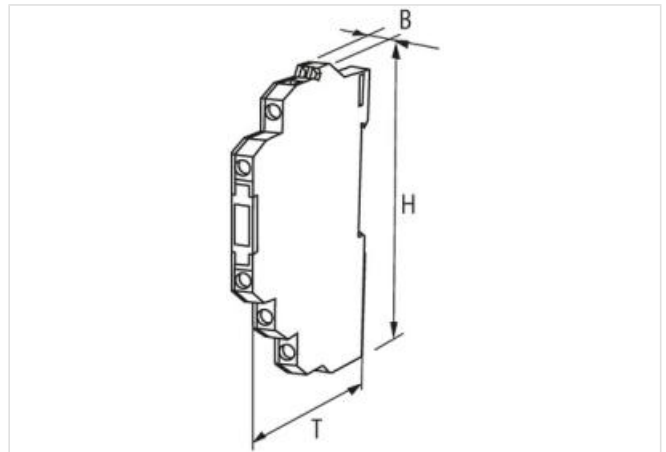
Switch-off delay: 3...300 s

Screw terminals

safe separation (EN 60947-1)

[Link to Product](#)**Illustration**

Product may differ from Image

**Commercial data**

ECLASS-6.0	27210990
ECLASS-6.1	27371790
ECLASS-7.0	27371790
ECLASS-8.0	27371605
ECLASS-9.0	27371605
ECLASS-10.1	27371605
ECLASS-11.1	27371605
ECLASS-12.0	27371605
ETIM-5.0	EC001439
customs tariff number	85364900
GTIN	4048879026970
Packaging unit	1

Electrical data | Input

Input voltage DC	24 V
Input voltage DC min.	20,4 V
Input voltage DC max.	26,4 V
Input current	20 mA

The information in this Product-PDF has been compiled with the utmost care.

Liability for the correctness completeness and topicality of the information is restricted to gross negligence. Version: 2024-12-09

Murrelektronik GmbH | Falkenstr. 3 | 71570 Oppenweiler | Fon +49 (71 91) 47-0 | Fax +49 (71 91) 47-491000 | shop@murrelektronik.com | shop.murrelektronik.com

Input current DC max.	10 mA
Control voltage DC	24 V
Control voltage DC min.	20,4 V
Control voltage DC max.	26,4 V
Control current	5 mA

Electrical data | Output

Output voltage adjustable	no
Output current max.	6 A
Utilization category AC-12 (EN IEC 60947-5-1)	6 A @ 24, 6 A @ 110 V, 6 A @ 230 V
Utilization category AC-15 (EN IEC 60947-5-1)	3 A @ 24 V, 3 A @ 110 V, 3 A @ 230 V
Utilization category DC-13 (EN IEC 60947-5-1)	1 A @ 24 V, 0,2 A @ 110 V, 0,1 A @ 230 V
Switching frequency max.	10 Hz
Power rating AC max.	1500 VA
Power rating DC max.	120 W
Switching voltage AC max.	250 V
Switching voltage DC max.	250 V
Switching current DC	100 mA

Device protection

Condition lifetime	load-dependent
--------------------	----------------

Device protection | Electrical

Rated surge voltage	4 kV
Electrical lifetime	20000000 Cycles

Device protection | Mechanical

Mechanical endurance	20000000 Cycles
----------------------	-----------------

Mechanical data

Drop-out time max.	15 ms
Response time max.	10 ms
Bounce time max.	1,5 ms

Mechanical data | Material data

Material contact	Ag Sn O2
------------------	----------

Mechanical data | Mounting data

Mounting method	geschnappt
Suitable for mounting type	mounting rail, (EN 60715)
Height	91 mm
Width	6,2 mm
Depth	71 mm

Environmental characteristics | Climatic

Operating temperature min.	0 °C
Operating temperature max.	55 °C

Connection type 5

Connection	Screw terminals SK
Family construction form	terminal
Gender	female
Color contact carrier	green
No. of poles	1
PIN 1	+ A 1
Connection	Screw terminals SK
Family construction form	terminal
Gender	female
Color contact carrier	green

No. of poles	1
PIN 1	18
Connection	Screw terminals SK
Family construction form	terminal
Gender	female
Color contact carrier	green
No. of poles	1
PIN 1	17
Connection	Screw terminals SK
Family construction form	terminal
Gender	female
Color contact carrier	green
No. of poles	1
PIN 1	+ B 1
Connection	Screw terminals SK
Family construction form	terminal
Gender	female
Color contact carrier	green
No. of poles	1
PIN 1	- A 2

Mouser Electronics

Authorized Distributor

Click to View Pricing, Inventory, Delivery & Lifecycle Information:

[Murrelektronik:](#)

[52311](#)