

**RM 122/24 OUTPUT RELAY**

IN: 24 VDC - OUT: 250 VAC/DC / 5 A

Art.No.: 51300

Weight: 0.124

Country of origin: CZ

Model designation: RM 122/24

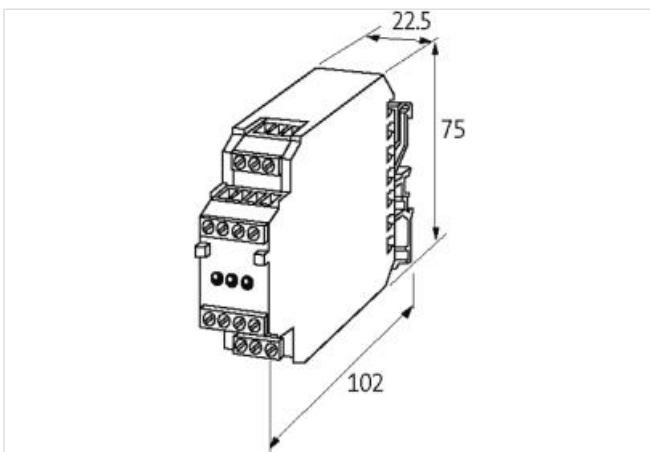
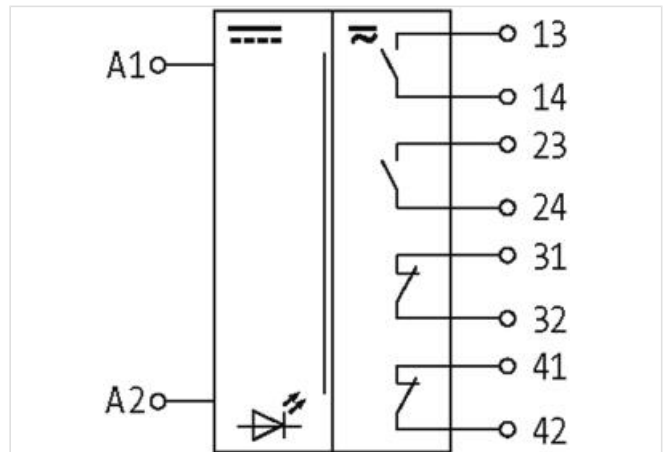
1 relay; 2 NO contacts/2 NC contacts

5 A

24 V DC

with force guided contacts

Screw terminals

[Link to Product](#)**Illustration**

Product may differ from Image

**Commercial data**

ECLASS-6.0

27371001

ECLASS-6.1	27371601
ECLASS-7.0	27371601
ECLASS-8.0	27371601
ECLASS-9.0	27371601
ECLASS-10.1	27371601
ECLASS-11.1	27371601
ECLASS-12.0	27371601
ETIM-5.0	EC001437
customs tariff number	85364900
GTIN	4048879027694
Packaging unit	1

**Electrical data | Input**

Input voltage DC	24 V
Input voltage DC min.	21,6 V
Input voltage DC max.	28 V
Input current	29 mA

**Electrical data | Output**

Utilization category DC-13 (EN IEC 60947-5-1)	2 A @ 24 V, 0,4 A @ 110 V, 0,3 A @ 230 V
Additional condition switching frequency	with load
Switching frequency max.	0,1 Hz
Power rating AC max.	1000 VA
Power rating DC max.	50 W
Switching voltage AC max.	250 V
Switching voltage DC max.	250 V
Switching current DC	300 mA
Switching current max.	5 A
Switching capacity AC-12 (EN IEC 60947-5-1)	5 A (24/110/230 V AC)
Switching capacity AC-15 (EN IEC 60947-5-1)	4 A (24 V AC); 3 A (110 V AC); 2 A (230 V AC)

**Diagnostics**

Status indication LED	red
-----------------------	-----

**Device protection**

Condition lifetime	load-dependent
--------------------	----------------

**Device protection | Electrical**

Rated surge voltage	2,5 kV
Electrical lifetime	1000000 Cycles

**Device protection | Mechanical**

Mechanical endurance	1000000 Cycles
----------------------	----------------

**Mechanical data**

Drop-out time max.	15 ms
Response time max.	15 ms
Bounce time max.	2 ms

**Mechanical data | Material data**

Material contact	Ag Ni 10 hv
------------------	-------------

**Mechanical data | Mounting data**

Mounting method	geschnappt
Suitable for mounting type	Mounting rail TH35, G32, (EN 60715)
Height	75 mm
Width	22,5 mm
Depth	85 mm

**Environmental characteristics | Climatic**

Operating temperature min.	-20 °C
Operating temperature max.	50 °C
<b>Connection type 4</b>	
Connection type 1	X1
Connection type 2	X2
Connection type 3	X3
Connection type 4	X4
Connection	Screw terminals SK
Family construction form	terminal
Gender	female
Color contact carrier	green
No. of poles	4
PIN 1	A 2
PIN 2	A 2
PIN 3	A 1
PIN 4	A 1
Connection	Screw terminals SK
Family construction form	terminal
Gender	female
Color contact carrier	green
No. of poles	4
Connection	Screw terminals SK
Family construction form	terminal
Gender	female
Color contact carrier	green
No. of poles	4
PIN 1	24
PIN 2	23
PIN 3	14
PIN 4	13
Connection	Screw terminals SK
Family construction form	terminal
Gender	female
Color contact carrier	green
No. of poles	4
PIN 1	31
PIN 2	32
PIN 3	41
PIN 4	42

# Mouser Electronics

Authorized Distributor

Click to View Pricing, Inventory, Delivery & Lifecycle Information:

[Murrelektronik:](#)

[51300](#)