

RMMDU 11/24 OUTPUT RELAY

IN: 24 VDC - OUT: 250 VAC/DC / 8 A

Art.No.: 51120

Weight: 0.043

Country of origin: CZ

Model designation: RMMDU 11/24

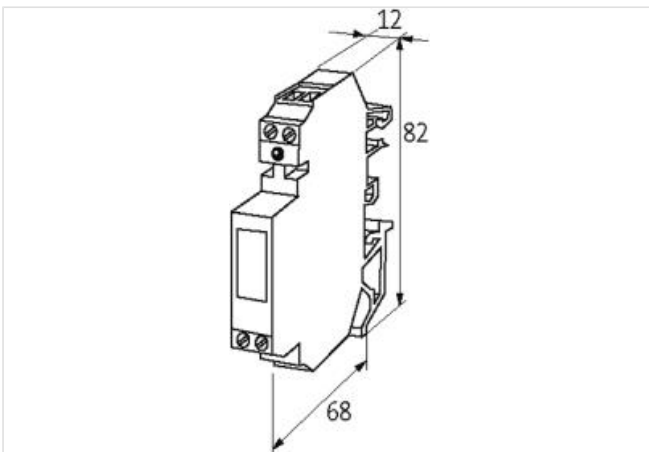
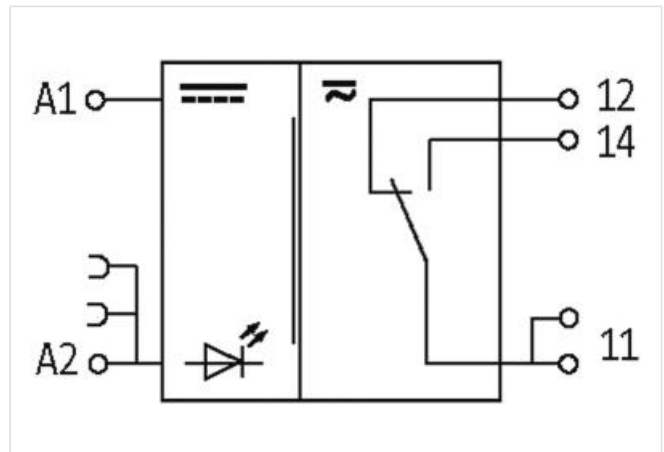
1 relay; 1 NO/NC contact

8 A

24 V DC

with minus plug link

safe isolation (IEC 61140/EN 61140)

[Link to Product](#)**Illustration**

Product may differ from Image

**General product information**

Scope of delivery

Jumper (Art-No. 90960)

Commercial data

The information in this Product-PDF has been compiled with the utmost care.

Liability for the correctness completeness and topicality of the information is restricted to gross negligence. Version: 2024-12-08

Murrelektronik GmbH | Falkenstr. 3 | 71570 Oppenweiler | Fon +49 (71 91) 47-0 | Fax +49 (71 91) 47-491000 | shop@murrelektronik.com | shop.murrelektronik.com

ECLASS-6.0	27371001
ECLASS-6.1	27371601
ECLASS-7.0	27371601
ECLASS-8.0	27371601
ECLASS-9.0	27371601
ECLASS-10.1	27371601
ECLASS-11.1	27371601
ECLASS-12.0	27371601
ETIM-5.0	EC001437
customs tariff number	85364900
GTIN	4048879027779
Packaging unit	1

Electrical data | Input

Input voltage DC	24 V
Input voltage DC min.	21,6 V
Input voltage DC max.	26,4 V
Input current	15 mA

Electrical data | Output

Utilization category AC-15 (EN IEC 60947-5-1)	3 A @ 24 V, 3 A @ 110 V, 3 A @ 230 V
Utilization category DC-13 (EN IEC 60947-5-1)	2,5 A @ 24 V, 0,4 A @ 110 V, 0,3 A @ 230 V
Switching frequency max.	10 Hz
Power rating AC max.	2000 VA
Power rating DC max.	240 W
Switching voltage AC max.	250 V
Switching voltage DC max.	250 V
Switching current DC	100 mA
Switching current max.	8 A
Switching capacity AC-12 (EN IEC 60947-5-1)	8 A (24/110/230 V AC)

Diagnostics

Status indication LED	red
-----------------------	-----

Device protection

Condition lifetime	load-dependent
--------------------	----------------

Device protection | Electrical

Rated surge voltage	5 kV
Electrical lifetime	20000000 Cycles

Device protection | Mechanical

Mechanical endurance	20000000 Cycles
----------------------	-----------------

Mechanical data

Drop-out time max.	15 ms
Response time max.	10 ms
Bounce time max.	2 ms

Mechanical data | Material data

Material contact	Ag Ni
------------------	-------

Mechanical data | Mounting data

Mounting method	geschnappt
Suitable for mounting type	Mounting rail TH35, G32, (EN 60715)
Height	82 mm
Width	12 mm
Depth	68 mm

Environmental characteristics | Climatic

Operating temperature min.	-20 °C
----------------------------	--------

Operating temperature max.	50 °C
----------------------------	-------

Connection type 5

Connection type 1	X1
-------------------	----

Connection type 2	X2
-------------------	----

Connection	Screw terminals SK
------------	--------------------

Family construction form	terminal
--------------------------	----------

Gender	female
--------	--------

Color contact carrier	green
-----------------------	-------

No. of poles	2
--------------	---

PIN 1	+ A 1
-------	-------

PIN 2	- A 2
-------	-------

Connection	Screw terminals SK
------------	--------------------

Family construction form	terminal
--------------------------	----------

Gender	female
--------	--------

Color contact carrier	green
-----------------------	-------

No. of poles	4
--------------	---

PIN 1	11
-------	----

PIN 2	14
-------	----

PIN 3	11
-------	----

PIN 4	12
-------	----

Connection	Screw terminals SK
------------	--------------------

Family construction form	terminal
--------------------------	----------

Gender	female
--------	--------

No. of poles	2
--------------	---

PIN 1	11
-------	----

PIN 2	11
-------	----

Connection	Screw terminals SK
------------	--------------------

Family construction form	terminal
--------------------------	----------

Gender	female
--------	--------

No. of poles	2
--------------	---

PIN 1	14
-------	----

PIN 2	12
-------	----

Connection	Screw terminals SK
------------	--------------------

Family construction form	terminal
--------------------------	----------

Gender	female
--------	--------

No. of poles	2
--------------	---

PIN 1	+ A 1
-------	-------

PIN 2	- A 2
-------	-------

Mouser Electronics

Authorized Distributor

Click to View Pricing, Inventory, Delivery & Lifecycle Information:

[Murrelektronik:](#)

[51120](#)