

M12 DC/DC-TRANSFORMER

IN: 24 VDC - OUT: 10 VDC / 25 mA

Art.No.: 446139

Weight: 0.052

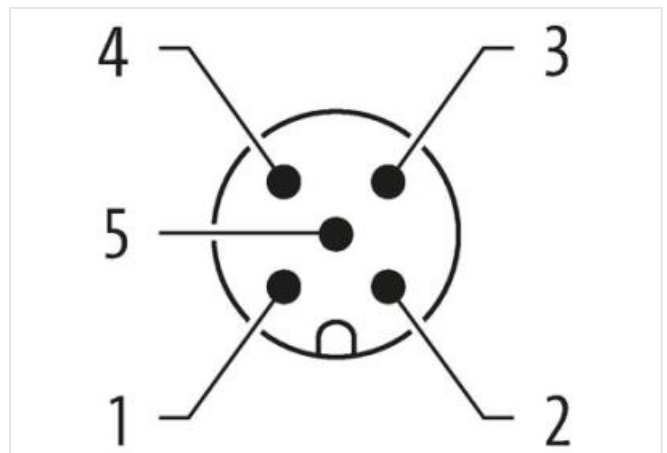
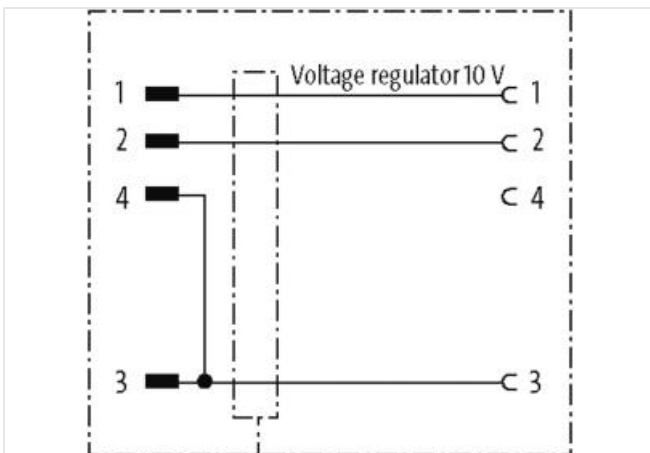
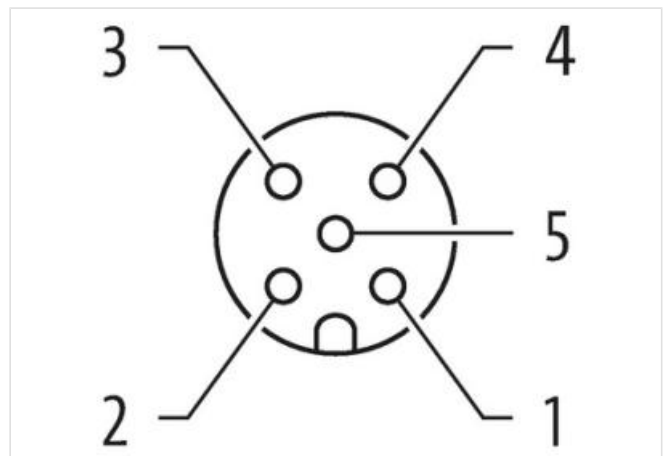
Country of origin: CZ

Model designation: DEZENTRALE AUSGABEEINHEIT 24V/10V 20MA

Voltage regulator
12...30 V DC/ 10 V DC

[Link to Product](#)

Illustration



Product may differ from Image



Commercial data

ECLASS-6.0	27049002
ECLASS-6.1	27210901
ECLASS-7.0	27210901
ECLASS-8.0	27210901

ECLASS-9.0	27210901
ECLASS-10.1	27210901
ECLASS-11.1	27210901
ECLASS-12.0	27210901
ETIM-5.0	EC002540
customs tariff number	85043121
GTIN	4048879025065
Packaging unit	1

Electrical data | Input

Input voltage DC	24 V
Input voltage DC min.	12 V
Input voltage DC max.	30 V
Input current	3 mA

Electrical data | Output

Output voltage DC	10 V
Output voltage adjustable	no
Output current per channel max.	0,025 A

Installation | Connection

Family construction form	M12
--------------------------	-----

Device protection | Electrical

Short-circuit protected	yes
-------------------------	-----

Mechanical data | Mounting data

Height	24,5 mm
Width	24,5 mm
Depth	60,5 mm

Mouser Electronics

Authorized Distributor

Click to View Pricing, Inventory, Delivery & Lifecycle Information:

[Murrelektronik:](#)

[446139](#)