

Modlink MSDD-set: Frame 4000-68223-0000000,

insert 4000-68000-1440000 + 4000-68000-0040000

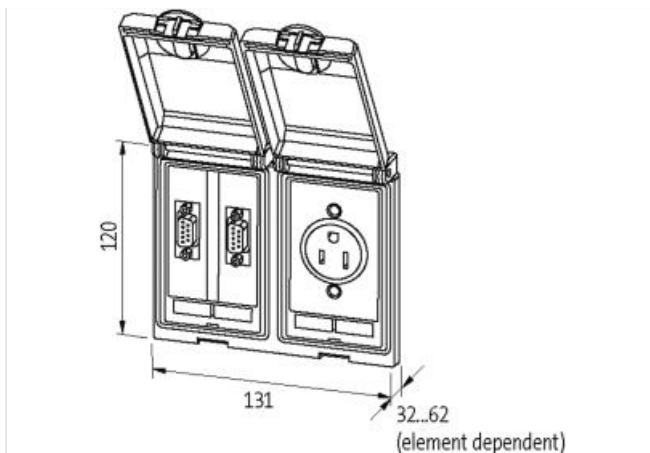
Art.No.: 4000-68223-1440040

Weight: 0.462

Country of origin: CZ

Model designation: MSDD_2MVIPK_9B/B+RJ45+USB_NEMA5-15SK_

[Link to Product](#)**Illustration**



Product may differ from Image



Commercial data

| | |
|-----------------------|---------------|
| ECLASS-6.0 | 27189217 |
| ECLASS-6.1 | 27189217 |
| ECLASS-7.0 | 27189217 |
| ECLASS-8.0 | 27189217 |
| ECLASS-9.0 | 27189217 |
| ECLASS-10.1 | 27182806 |
| ECLASS-11.1 | 27182806 |
| ECLASS-12.0 | 27182806 |
| ETIM-5.0 | EC002625 |
| customs tariff number | 85366990 |
| GTIN | 4048879032575 |
| Packaging unit | 1 |

Frame

| | |
|---|-----------------------|
| Degree of protection (EN IEC 60529) | IP65 |
| Operating temperature min. | -10 °C |
| Operating temperature max. | 60 °C |
| Storage temperature min. | -25 °C |
| Storage temperature max. | 60 °C |
| Suitable for installation wall thickness min. | 1 mm |
| Suitable for installation wall thickness max. | 5 mm |
| Coating housing | surface finished |
| Color cover | transparent |
| Material lid | PC |
| Material housing | Fine zinc die casting |

Shielding plate

| | |
|------------------------|------------------|
| Connection information | Threaded hole M4 |
| Tightening torque | 0,9 Nm |

USA

| | |
|-------------------------------|---------------------|
| Connection cross section max. | 2,5 mm ² |
| AWG number max. | 14 |
| Operating voltage AC | 125 V |

| | |
|----------------------------|--------------------|
| Operating current | 15 A |
| Connection | Screw terminals SK |
| No. of poles | 2 + PE |
| Connections per pole | 2 |
| Protection contact present | yes |

USB

| | |
|---------------------------------------|-------------------|
| Operating voltage AC | 48 V |
| Operating voltage DC | 48 V |
| Operating voltage AC max. (UL-listed) | 30 V |
| Operating voltage DC max. (UL-listed) | 42,4 V |
| Operating current | 1,5 A |
| USB specification | 3.0 |
| Data transmission rate max. | 5000 MBit/s |
| Looking techniques | Snap-in connector |

SUB-D9

| | |
|---------------------------------------|--|
| Operating voltage AC | 48 V |
| Operating voltage DC | 48 V |
| Operating voltage AC max. (UL-listed) | 30 V |
| Operating voltage DC max. (UL-listed) | 42,4 V |
| Operating current | 3 A |
| Current operating max. (UL) | 175 mA |
| Family construction form | SUB-D9 |
| Family type Back side | SUB-D9 |
| Gender | female |
| Gender Rear | female |
| Looking techniques | Standard UNC 4-40 screw thread bolt (EN 60807) |
| No. of poles | 9 |

RJ45

| | |
|---------------------------------------|-------------------|
| Operating voltage AC max. (UL-listed) | 30 V |
| Operating voltage DC max. (UL-listed) | 42,4 V |
| Current operating max. (UL) | 175 mA |
| Family construction form | RJ45 |
| Family type Back side | RJ45 |
| Cable category min. | Cat5e |
| Looking techniques | Snap-in connector |

Mouser Electronics

Authorized Distributor

Click to View Pricing, Inventory, Delivery & Lifecycle Information:

[Murrelektronik:](#)

[4000-68223-1440040](tel:4000-68223-1440040)