

EUROCARD HOLDER

SKP 32/2-D(a+c)-FK

Art.No.: 4000-63011-2203200

Weight: 0.202

Country of origin: CZ

Model designation: SKP 32/2-D(a+c)-FK

Spring clamp terminals

32-pole D (EN 60603)

Row a, c

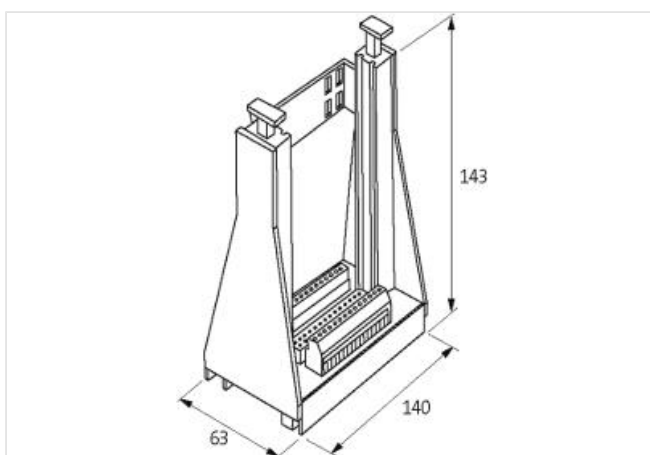
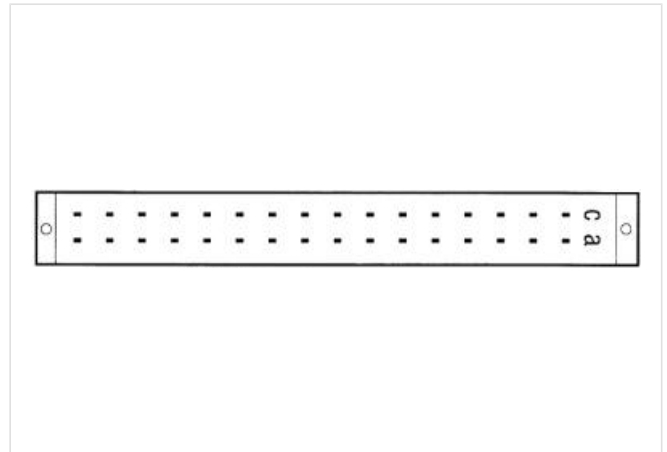
With the vertical snap adapter SASA 135 Art.-No. 63900 the holder can be mounted at right-angles on the rail.

The D2 size is for a card without a front plate.

To insert the card first press down the 2 yellow buttons. Then slide the Eurocard into the guide slots pushing until fully engaged. The card is now locked into position. It can be removed by pressing down on the 2 yellow buttons.

[Link to Product](#)

Illustration



Product may differ from Image



Commercial data

ECLASS-6.0	27260710
ECLASS-6.1	27260704
ECLASS-7.0	27440402
ECLASS-8.0	27440402
ECLASS-9.0	27460201
ECLASS-10.1	27440402
ECLASS-11.1	27460201
ECLASS-12.0	27460201
ETIM-5.0	EC002780
customs tariff number	85366990
GTIN	4048879038645
Packaging unit	1

Electrical data | Supply

Operating voltage AC	250 V
Operating current max.	4 A

Installation

Connection cross-section solid max.	4 mm ²
-------------------------------------	-------------------

Installation | Pin assignment

No. of poles	32
--------------	----

Device protection | Electrical

Overvoltage category (EN 60664-1)	II
-----------------------------------	----

Device protection | Media

Flame resistance	flame retardant
------------------	-----------------

Mechanical data

Type of socket connector	D (EN 60603)
--------------------------	--------------

Mechanical data | Material data

Material housing	Plastic
------------------	---------

Mechanical data | Mounting data

Mounting method	screwed, geschnappt
Suitable for mounting type	mounting rail, (EN 60715)
Height	63 mm
Width	137 mm
Depth	170 mm

Mouser Electronics

Authorized Distributor

Click to View Pricing, Inventory, Delivery & Lifecycle Information:

[Murrelektronik:](#)

[4000-63011-2203200](tel:4000-63011-2203200)