

**VALVE PLUG SUPPRESSOR FORM BI - 11MM**

Zener diode and LED, 24VDC/100VA/W

Art.No.: 3124233

Weight: 0.013

Country of origin: CZ

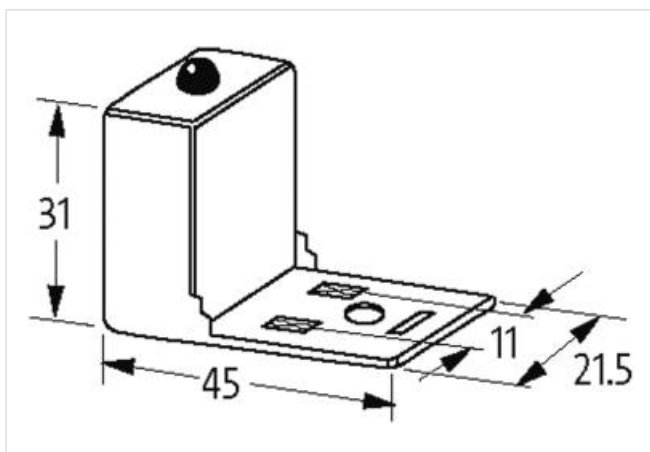
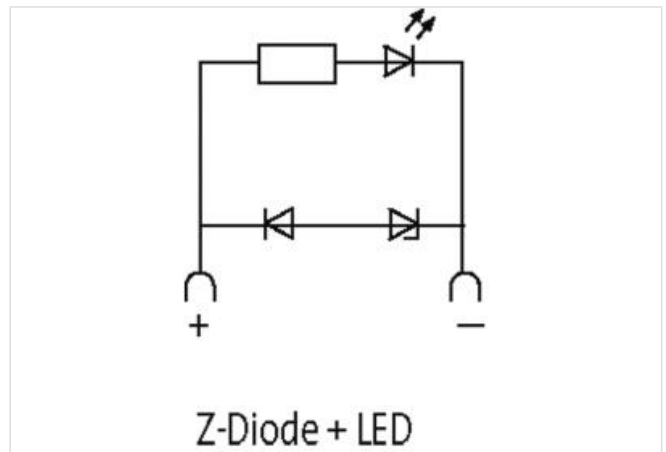
Model designation: LBS-LEDY+Z-DIODE 24 V

24 V AC/DC

Z-Diode + LED

Remove plug gasket when fitting adapter. Other LED colors on request.

Note PIN arrangement (PE at cable outlet of connector). 180° turned version on request.

[Link to Product](#)**Illustration**

Product may differ from Image

**Commercial data**

ECLASS-6.0	27371013
ECLASS-6.1	27371013
ECLASS-7.0	27371013

ECLASS-8.0	27371013
ECLASS-9.0	27371013
ECLASS-10.1	27371013
ECLASS-11.1	27371013
ECLASS-12.0	27371013
ETIM-5.0	EC000197
customs tariff number	85363010
GTIN	4048879011938
Packaging unit	1

#### Electrical data

Drop-out delay time max.	20 ms
Holding power max.	100 W

#### Electrical data | Supply

Cut-off peak voltage max.	55 V
---------------------------	------

#### Electrical data | Input

Input voltage AC min.	18 V
Input voltage AC max.	30 V
Input voltage DC min.	18 V
Input voltage DC max.	30 V

#### Diagnostics

Status indication LED	yellow
-----------------------	--------

#### Device protection | Media

Flame resistance	flame retardant
------------------	-----------------

#### Mechanical data | Material data

Coating contact	silver-plated
Color housing	black
Material housing	PA
Material contact	Bronze

#### Mechanical data | Mounting data

Height	31 mm
Width	45 mm
Depth	21,5 mm

#### Environmental characteristics | Climatic

Operating temperature min.	-20 °C
Operating temperature max.	60 °C
Housing temperature max. (EN 61347-2-13)	130 °C

# Mouser Electronics

Authorized Distributor

Click to View Pricing, Inventory, Delivery & Lifecycle Information:

[Murrelektronik:](#)

[3124233](#)