

VALVE PLUG SUPPRESSOR FORM BI - 11MM

Diode and LED, 24VDC/50VA/W

Art.No.: 3124221

Weight: 0.012

Country of origin: CZ

Model designation: LBS-LEDY+DIODE 24 V

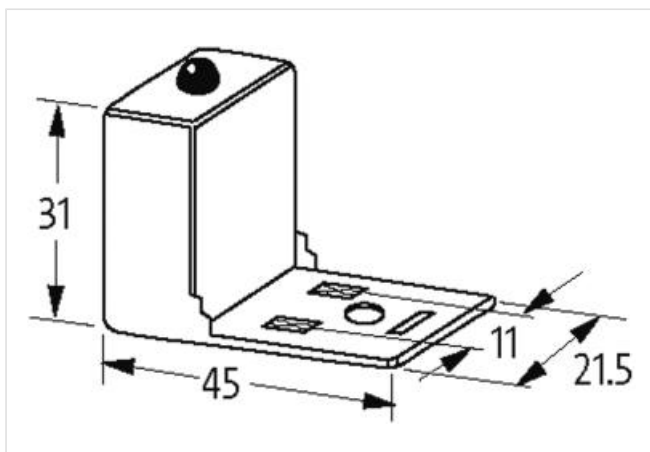
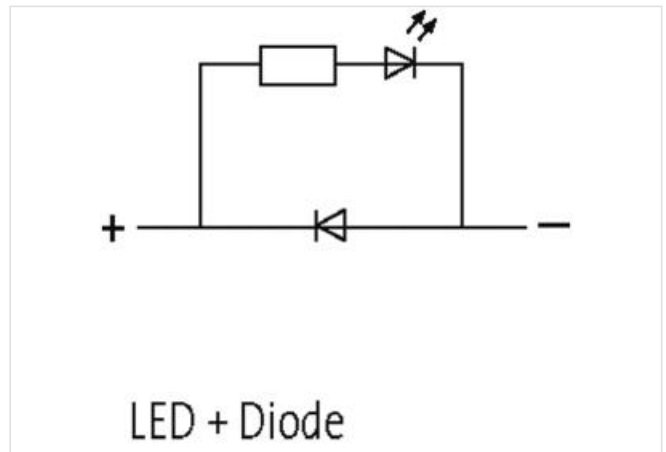
24 V DC

Diode + LED

Remove plug gasket when fitting adapter. Other LED colors on request.

Polarity dependent

Note PIN arrangement (PE at cable outlet of connector). 180° turned version on request.

[Link to Product](#)**Illustration**

Product may differ from Image

**Commercial data**

ECLASS-6.0

27371013

| | |
|-----------------------|---------------|
| ECLASS-6.1 | 27371013 |
| ECLASS-7.0 | 27371013 |
| ECLASS-8.0 | 27371013 |
| ECLASS-9.0 | 27371013 |
| ECLASS-10.1 | 27371013 |
| ECLASS-11.1 | 27371013 |
| ECLASS-12.0 | 27371013 |
| ETIM-5.0 | EC000197 |
| customs tariff number | 85363010 |
| GTIN | 4048879011945 |
| Packaging unit | 1 |

Electrical data

| | |
|--------------------------|--------|
| Drop-out delay time max. | 200 ms |
| Holding power max. | 50 W |

Electrical data | Supply

| | |
|---------------------------|-----|
| Cut-off peak voltage max. | 1 V |
|---------------------------|-----|

Electrical data | Input

| | |
|-----------------------|------|
| Input voltage DC min. | 12 V |
| Input voltage DC max. | 30 V |

Diagnostics

| | |
|-----------------------|--------|
| Status indication LED | yellow |
|-----------------------|--------|

Device protection | Media

| | |
|------------------|-----------------|
| Flame resistance | flame retardant |
|------------------|-----------------|

Mechanical data | Material data

| | |
|------------------|---------------|
| Coating contact | silver-plated |
| Color housing | black |
| Material housing | PA |
| Material contact | Bronze |

Mechanical data | Mounting data

| | |
|--------|---------|
| Height | 31 mm |
| Width | 45 mm |
| Depth | 21,5 mm |

Environmental characteristics | Climatic

| | |
|------------------------------------------|--------|
| Operating temperature min. | -20 °C |
| Operating temperature max. | 60 °C |
| Housing temperature max. (EN 61347-2-13) | 130 °C |

Mouser Electronics

Authorized Distributor

Click to View Pricing, Inventory, Delivery & Lifecycle Information:

[Murrelektronik:](#)

[3124221](#)