

SIEMENS CONTACTOR SUPPRESSOR

Diode, 0...240VDC

Art.No.: 26528

Weight: 0.01

Country of origin: CZ

Model designation: LG 24 VDC

24 V DC

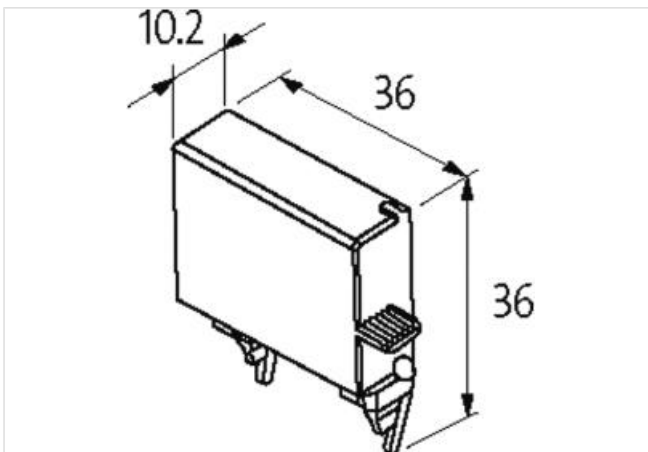
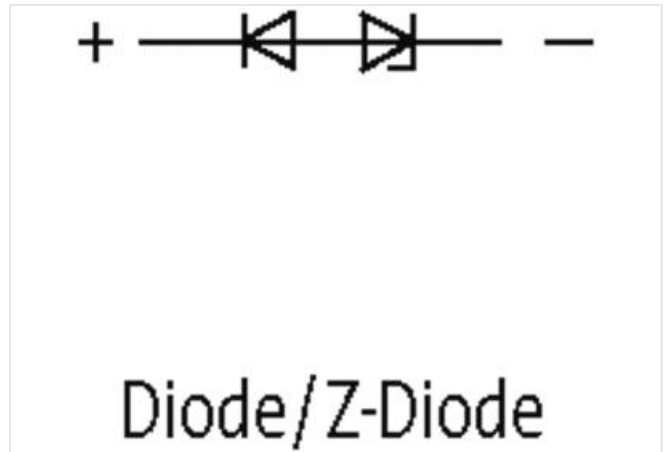
Diode/Z-Diode

Mounts on the underside of the contactor

For other configurations and voltages, please inquire.

[Link to Product](#)

Illustration



Product may differ from Image



Commercial data

ECLASS-6.0	27371013
ECLASS-6.1	27371013
ECLASS-7.0	27371013

ECLASS-8.0	27371013
ECLASS-9.0	27371013
ECLASS-10.1	27371013
ECLASS-11.1	27371013
ECLASS-12.0	27371013
ETIM-5.0	EC002498
customs tariff number	85363010
GTIN	4048879017503
Packaging unit	1

Compatibility | Compatible with

Appropriate contactors	3 RT 10.24/25/26
------------------------	------------------

Electrical data

Damping factor	1.5x UN
----------------	---------

Electrical data | Input

Input voltage DC min.	0 V
Input voltage DC max.	30 V

Installation | Connection

Connection information	Plug contact
------------------------	--------------

Device protection | Media

Flame resistance	flame retardant
------------------	-----------------

Mechanical data | Material data

Combustibility class housing (UL94)	V-0
Material housing	Plastic

Mechanical data | Mounting data

Height	36 mm
Width	36 mm
Depth	10,2 mm

Environmental characteristics | Climatic

Operating temperature min.	-20 °C
Operating temperature max.	70 °C

Mouser Electronics

Authorized Distributor

Click to View Pricing, Inventory, Delivery & Lifecycle Information:

[Murrelektronik:](#)

[26528](#)