

SIEMENS CONTACTOR SUPPRESSOR

Diode, 0...240VDC

Art.No.: 26520

Weight: 0.01

Country of origin: CZ

Model designation: LG 24 VDC

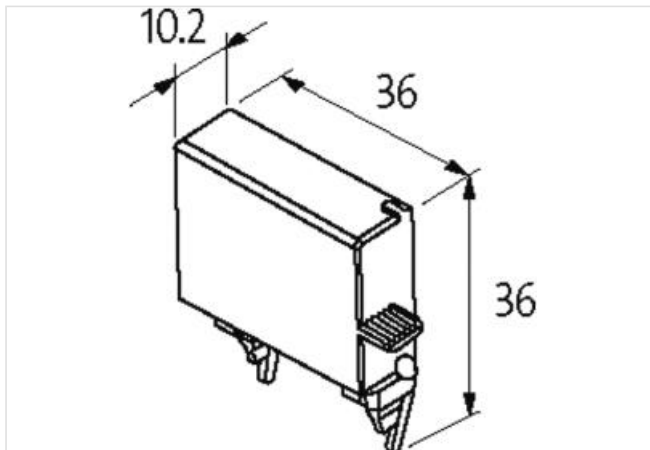
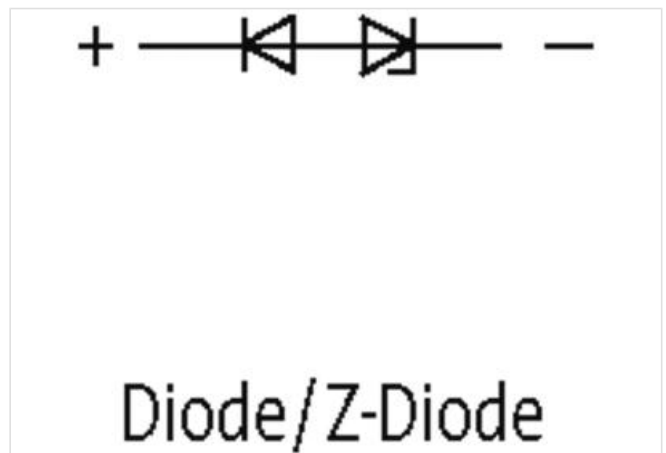
24 V AC/DC

Diode/Z-Diode

For other configurations and voltages, please inquire.

[Link to Product](#)

Illustration



Product may differ from Image



Commercial data

ECLASS-6.0	27371013
ECLASS-6.1	27371013
ECLASS-7.0	27371013
ECLASS-8.0	27371013

ECLASS-9.0	27371013
ECLASS-10.1	27371013
ECLASS-11.1	27371013
ECLASS-12.0	27371013
ETIM-5.0	EC002498
customs tariff number	85363010
GTIN	4048879017558
Packaging unit	1

Compatibility | Compatible with

Appropriate contactors	3 RT 10.24/25/26
------------------------	------------------

Electrical data | Input

Input voltage DC min.	0 V
Input voltage DC max.	30 V

Mechanical data | Mounting data

Height	36 mm
Width	36 mm
Depth	10,2 mm

Environmental characteristics | Climatic

Operating temperature min.	-20 °C
Operating temperature max.	70 °C

Mouser Electronics

Authorized Distributor

Click to View Pricing, Inventory, Delivery & Lifecycle Information:

[Murrelektronik:](#)

[26520](#)