

MOTOR SUPPRESSOR

RC, 3x575VAC/5,5kW

Art.No.: 236082

Weight: 0.032

Country of origin: CZ

Model designation: RC 3/022-575

3× 400 V AC

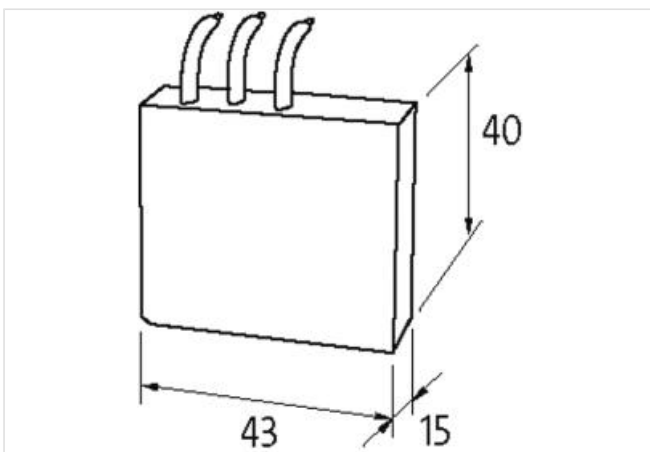
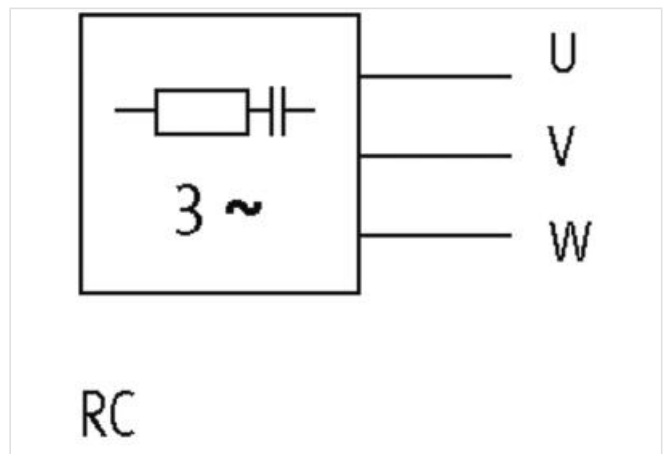
3× 575 V AC

RC

Suppressors for other voltages, frequencies, and motor ratings available on request. Do not use RC motor suppressors with frequency inverters.

Link to Product

Illustration



Product may differ from Image



Commercial data

ECLASS-6.0

27371013

ECLASS-6.1	27371013
ECLASS-7.0	27371013
ECLASS-8.0	27371013
ECLASS-9.0	27371013
ECLASS-10.1	27371013
ECLASS-11.1	27371013
ECLASS-12.0	27371013
ETIM-5.0	EC000197
customs tariff number	85363010
GTIN	4048879015448
Packaging unit	1

Compatibility | Compatible with

Appropriate contactors 3 RT 20 screw terminals, Siemens 3 RT 10

Electrical data | Supply

Power frequency 50 ... 60 Hz

Electrical data | Input

Input voltage AC 575 V

Installation | Connection

Connection Screw terminals SK

Device protection | Media

Flame resistance flame retardant

Mechanical data | Material data

Combustibility class housing (UL94) V-0

Material housing Plastic

Material potting compound 2-component epoxy

Mechanical data | Mounting data

Mounting method geschnappt

Suitable for mounting type Mounting rail TH35, (EN 60715)

Height 40 mm

Width 43 mm

Depth 15 mm

Environmental characteristics | Climatic

Operating temperature min. -20 °C

Operating temperature max. 60 °C

Mouser Electronics

Authorized Distributor

Click to View Pricing, Inventory, Delivery & Lifecycle Information:

[Murrelektronik:](#)

[236082](#)