

## MOTOR SUPPRESSOR

RC, 3x575VAC/7,5kW

Art.No.: 23030

Weight: 0.108

Country of origin: CZ

Model designation: RC 3/047-575 U- PG 9

RC

PG9

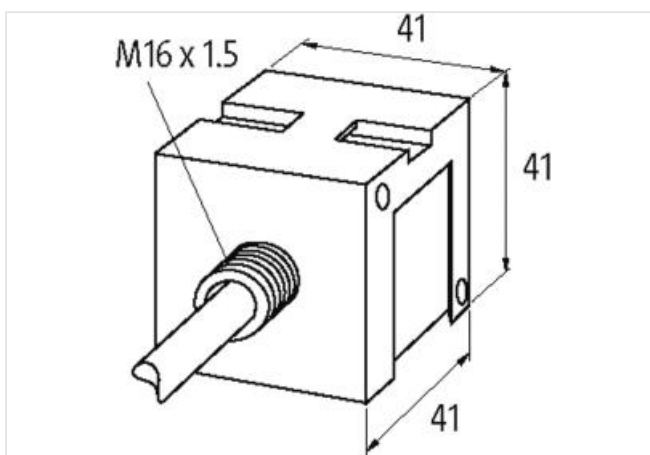
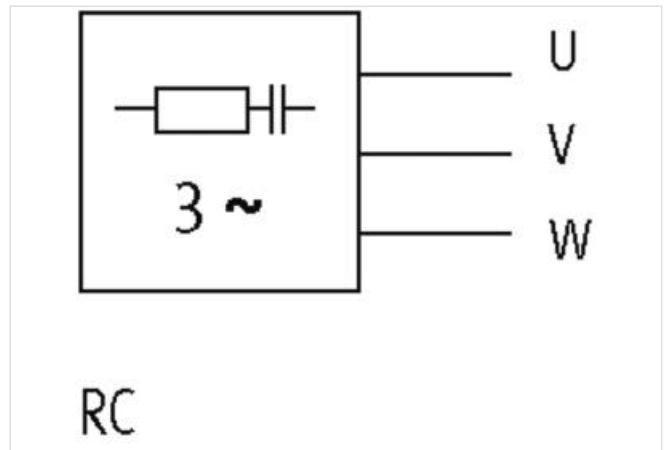
3 × 575 V AC

Suppressors for other voltages, frequencies, and motor ratings available on request. Do not use RC motor suppressors with frequency inverters.

For DIN-rail mounting use 2×Art.-No. 20900 adapter feet  
approx. 500 mm, PVC cable 3× 0.75 mm<sup>2</sup>

### [Link to Product](#)

#### Illustration



Product may differ from Image



#### Commercial data

ECLASS-6.0	27371013
ECLASS-6.1	27371013
ECLASS-7.0	27371013
ECLASS-8.0	27371013
ECLASS-9.0	27371013
ECLASS-10.1	27371013
ECLASS-11.1	27371013
ECLASS-12.0	27371013
ETIM-5.0	EC000197
customs tariff number	85363010
GTIN	4048879019491
Packaging unit	1

**Electrical data | Supply**

Power frequency	50 ... 60 Hz
-----------------	--------------

**Electrical data | Input**

Input voltage AC	575 V
------------------	-------

**Installation**

Connection cross section max.	0,75 mm <sup>2</sup>
-------------------------------	----------------------

**Installation | Connection**

Family construction form	free cable end
--------------------------	----------------

**Installation | Pin assignment**

No. of poles	3
--------------	---

**Device protection | Media**

Flame resistance	flame retardant
------------------	-----------------

**Mechanical data | Material data**

Combustibility class housing (UL94)	V-0
Material housing	Plastic
Material potting compound	2-component epoxy

**Mechanical data | Mounting data**

Mounting method	geschnappt
Suitable for mounting type	Mounting rail TH35, (EN 60715)
Height	41 mm
Width	41 mm
Depth	41 mm

**Environmental characteristics | Climatic**

Operating temperature min.	-20 °C
Operating temperature max.	60 °C

# Mouser Electronics

Authorized Distributor

Click to View Pricing, Inventory, Delivery & Lifecycle Information:

[Murrelektronik:](#)

[23030](#)