

SPECIFICATIONS

RESISTANCE RANGE ----- 100 TO 100K OHMS
 RESISTANCE TOLERANCE ----- ±5%
 ACCURACY ----- ±0.35% OF VOLTAGE RATIO
 REPEATABILITY ----- ±0.02% OR RESOLUTION OF POT
 RESOLUTION ----- SEE POT SPECIFICATIONS
 POWER RATING ----- 2 WATTS
 OPERATING TEMPERATURE ----- -30°C TO +85°C
 TEMPERATURE COEFFICIENT ----- ±20 PPM/°C
 TURNS ----- 10 (000 TO 999 COUNTS)
 TERMINALS ----- GOLD PLATED LUGS

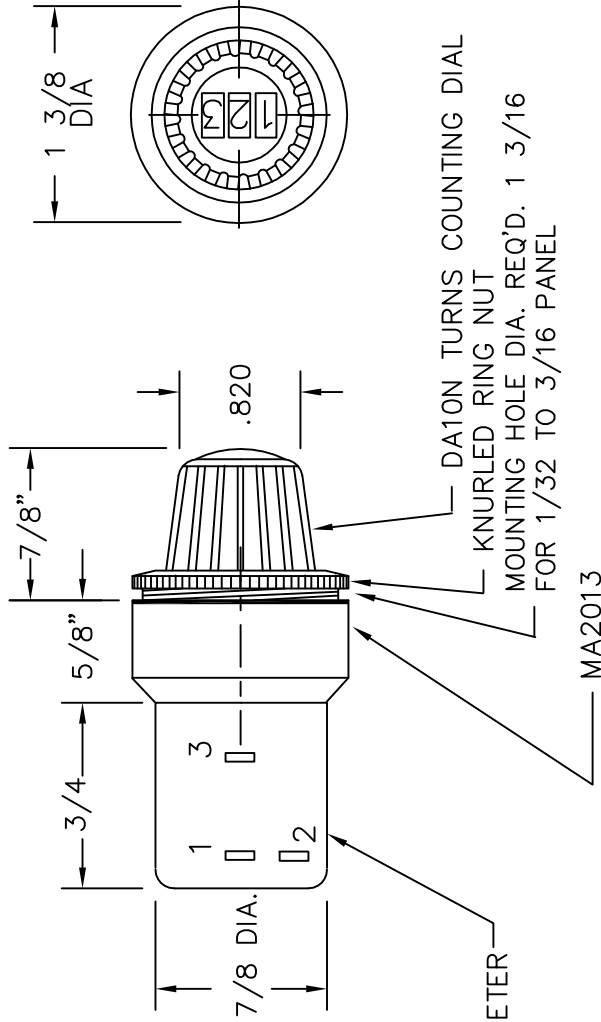
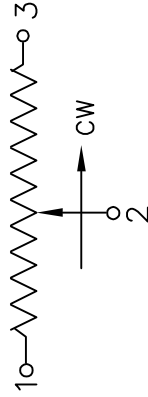
HOUSING MATERIAL ----- HIGH TEMP. BLACK PLASTIC

NOTES:

1. USE ETI SYSTEMS POTENTIOMETERS MODEL MW22B.
2. POTENTIOMETERS MAY BE 1,3,5,10 TURNS. ALSO MULTIPLE GANGS.
3. DIAL AVAILABLE WITHOUT POT, ASK FOR DA10N
4. THREADS WILL ACCEPT PANEL THICKNESS OF 3/16 MAX.
5. SEE POTENTIOMETER CATALOG FOR ADDITIONAL SPECIFICATIONS.

*MODEL WITH MW20B IS DW20.

SCHEMATIC



REV.	BY DATE	PART NO.
A	BT 1-16-93	DW22
B	AT 2-20-02	ADDED 1 TURN POTENTIOMETER

ADDED SPECIFICATIONS

THIS DOCUMENT CONTAINS PROPRIETARY DATA OF POLARIS INDUSTRIAL ENTERPRISES, INC. NO DISCLOSURE, REPRODUCTION, OR USE OF ANY PART THERE OF MAY BE MADE EXCEPT BY WRITTEN PERMISSION.

ETI
 SYSTEMS
 CARLSBAD
 CALIFORNIA

PART NO. DW22

TITLE	POT/DIAL COMBINATION
-------	----------------------

SCALE	NONE
DATE:	5-8-87
BY	
APPRV'D	BT
CODE IDENT:	19477

TOLERANCES	XX = +/- .010" FRACT. = +/- 1/64"
	XXX= +/- .005" ANGLES = +/- 1/2°

ALL SPECIFICATIONS SUBJECT TO CHANGE WITHOUT NOTICE.

Mouser Electronics

Authorized Distributor

Click to View Pricing, Inventory, Delivery & Lifecycle Information:

[ETI Systems:](#)

[DW22-10-100](#) [DW22-10-100K](#) [DW22-10-10K](#) [DW22-10-1K](#) [DW22-10-2K](#) [DW22-10-5K](#) [DW22-5-10K](#)