



Adapter for actuator and signaling units with front ring for flush installation, 30 mm

product brand name	SIRIUS ACT
product designation	Adapter
design of the product	for flat command devices
product type designation	3SU1
General technical data	
protection class IP	IP66, IP67, IP69(IP69K)
Substance Prohibittance (Date)	10/01/2014
Ambient conditions	
ambient temperature	
• during operation	-25 ... +70 °C
• during storage and transport	-40 ... +80 °C
Installation/ mounting/ dimensions	
height	43.7 mm
width	34.4 mm
installation depth	12.3 mm
Accessories	
material of accessory	Metal
color of accessory	Silver
Certificates/ approvals	
General Product Approval	Declaration of Conformity



[Confirmation](#)



Test Certificates

Marine / Shipping

[Type Test Certificates/Test Report](#)

[Special Test Certificate](#)



other

Environment

[Confirmation](#)

[Environmental Confirmations](#)

Further information

Siemens has decided to exit the Russian market (see here).

<https://press.siemens.com/global/en/pressrelease/siemens-wind-down-russian-business>

Siemens is working on the renewal of the current EAC certificates.

Please contact your local Siemens office on the status of validity of the EAC certification if you intend to import or offer to supply these products to an EAC relevant market (other than the sanctioned EAEU member states Russia or Belarus).

Information on the packaging

<https://support.industry.siemens.com/cs/ww/en/view/109813875>

Information- and Downloadcenter (Catalogs, Brochures,...)

<https://www.siemens.com/ic10>

Industry Mall (Online ordering system)

<https://mall.industry.siemens.com/mall/en/en/Catalog/product?mlfb=3SU1950-0KJ80-0AA0>

Cax online generator

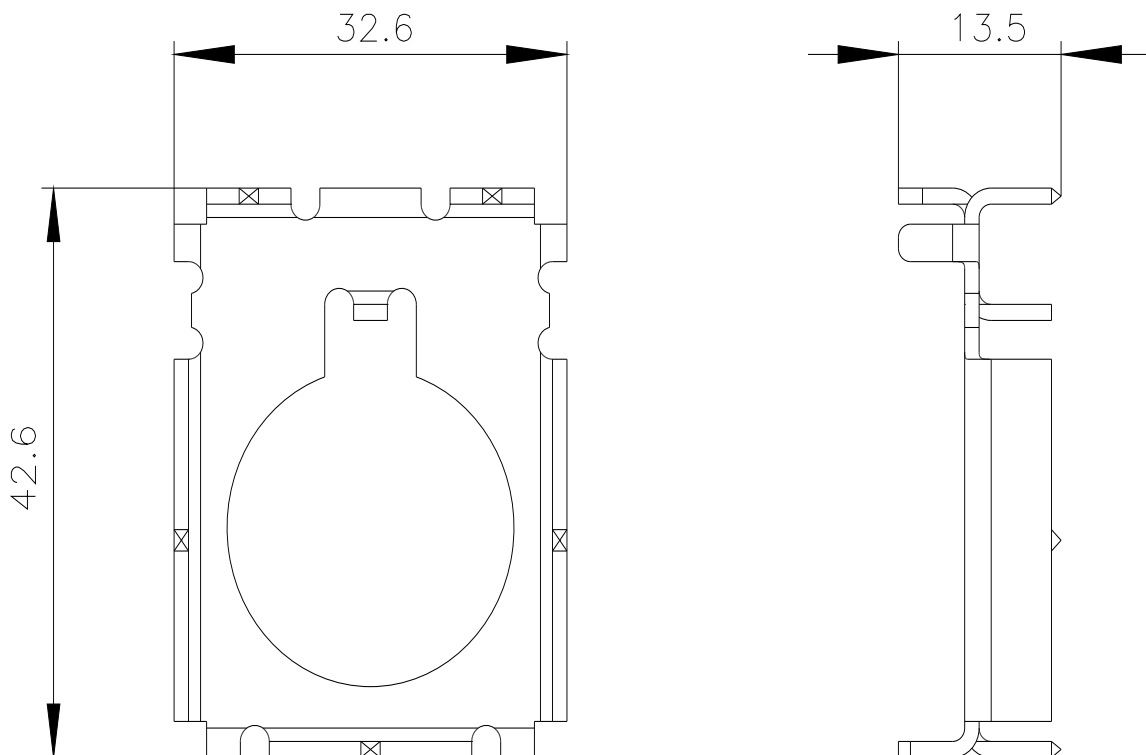
<http://support.automation.siemens.com/WW/CAXorder/default.aspx?lang=en&mlfb=3SU1950-0KJ80-0AA0>

Service&Support (Manuals, Certificates, Characteristics, FAQs,...)

<https://support.industry.siemens.com/cs/ww/en/ps/3SU1950-0KJ80-0AA0>

Image database (product images, 2D dimension drawings, 3D models, device circuit diagrams, EPLAN macros, ...)

http://www.automation.siemens.com/bilddb/cax_de.aspx?mlfb=3SU1950-0KJ80-0AA0&lang=en



last modified:

3/29/2022 

Mouser Electronics

Authorized Distributor

Click to View Pricing, Inventory, Delivery & Lifecycle Information:

Siemens:

[3SU19500KJ800AA0](#)