



LED cover for position switch for plastic enclosure 50 mm LEDs, yellow/green, 110-230 V AC Color yellow

product designation	cover with LEDs 230 V AC, for 50 mm wide enclosures, plastic, turquoise
General technical data	
protection class IP	IP66/IP67
shock resistance	
• according to IEC 60068-2-27	30g / 11 ms
Substance Prohibittance (Date)	07/01/2006
length of the sensor	53 mm
width of the sensor	50 mm
Ambient conditions	
ambient temperature	
• during operation	-25 ... +60 °C
• during storage	-40 ... +90 °C
explosion protection category for dust	none
Enclosure	
design of the housing	block, wide
coating of the enclosure	Other types
Drive Head	
design of the actuating element	without
Installation/ mounting/ dimensions	
mounting position	any
fastening method	screw fixing
Supply voltage	
type of voltage of the supply voltage of the optional LED display	AC
supply voltage of LED	
•	230 V
design of the interface for safety-related communication	without
Communication/ Protocol	
design of the interface	without
Approvals Certificates	
General Product Approval	



EG-Konf.



CCC

[Confirmation](#)



UL

General Product Approval	Functional Safety	Test Certificates	other	Environment
--------------------------	-------------------	-------------------	-------	-------------

Further information

Information on the packaging

<https://support.industry.siemens.com/cs/ww/en/view/109813875>

Information- and Downloadcenter (Catalogs, Brochures,...)

<https://www.siemens.com/ic10>

Industry Mall (Online ordering system)

<https://mall.industry.siemens.com/mall/en/en/Catalog/product?mlfb=3SE5240-3AA00>

Cax online generator

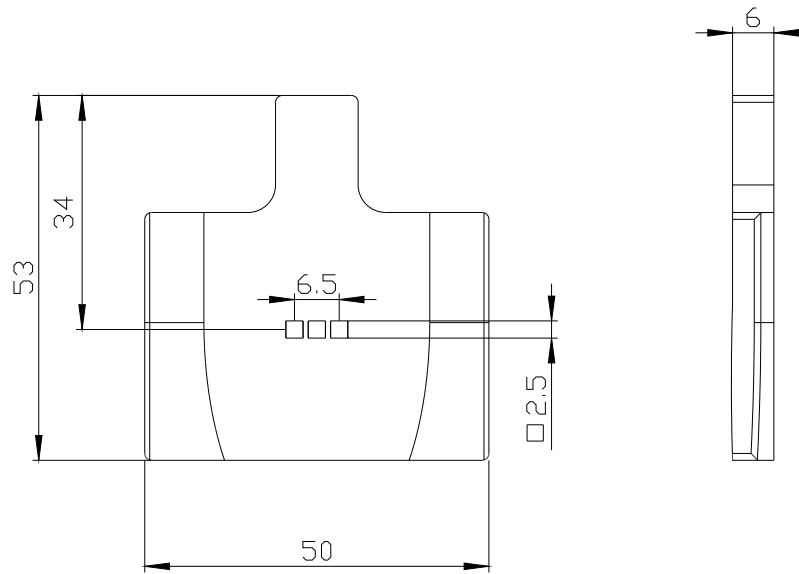
<http://support.automation.siemens.com/WW/CAXorder/default.aspx?lang=en&mlfb=3SE5240-3AA00>

Service&Support (Manuals, Certificates, Characteristics, FAQs,...)

<https://support.industry.siemens.com/cs/ww/en/ps/3SE5240-3AA00>

Image database (product images, 2D dimension drawings, 3D models, device circuit diagrams, EPLAN macros, ...)

http://www.automation.siemens.com/bilddb/cax_de.aspx?mlfb=3SE5240-3AA00&lang=en



last modified:

7/14/2021 

Mouser Electronics

Authorized Distributor

Click to View Pricing, Inventory, Delivery & Lifecycle Information:

[Siemens:](#)

[3SE52403AA00](#)