




Separate actuator, universal radius actuator 'HEAVY DUTY' version vertically and horizontally adjustable, length = 67 mm for position switch with tumbler 3SE5312/3SE5322 and AS-i 3SF13 position switch with separate actuator 3SE51/3SE52 and AS-i with separate actuator 3SF11/3SF12

product brand name	SIRIUS
product designation	actuator
product type designation	3SE5
General technical data	
shock resistance	
• according to IEC 60068-2-27	30g / 11 ms
mechanical service life (operating cycles) typical	1 000 000
reference code according to IEC 81346-2	T
active principle	mechanical
Substance Prohibitation (Date)	07/01/2006
Ambient conditions	
ambient temperature	
• during operation	-25 ... +85 °C
• during storage	-40 ... +90 °C
Drive Head	
design of the actuating element	universal actuator
Installation/ mounting/ dimensions	
mounting position	any
fastening method	screw fixing
Approvals Certificates	
General Product Approval	



[Confirmation](#)



Functional Safety	Test Certificates	other
	Type Test Certificates/Test Report	Confirmation

Further information

Information on the packaging
<https://support.industry.siemens.com/cs/ww/en/view/109813875>
 Information- and Downloadcenter (Catalogs, Brochures,...)
<https://www.siemens.com/ic10>
 Industry Mall (Online ordering system)
<https://mall.industry.siemens.com/mall/en/en/Catalog/product?mlfb=3SE5000-0AV07-1AK2>

Cax online generator

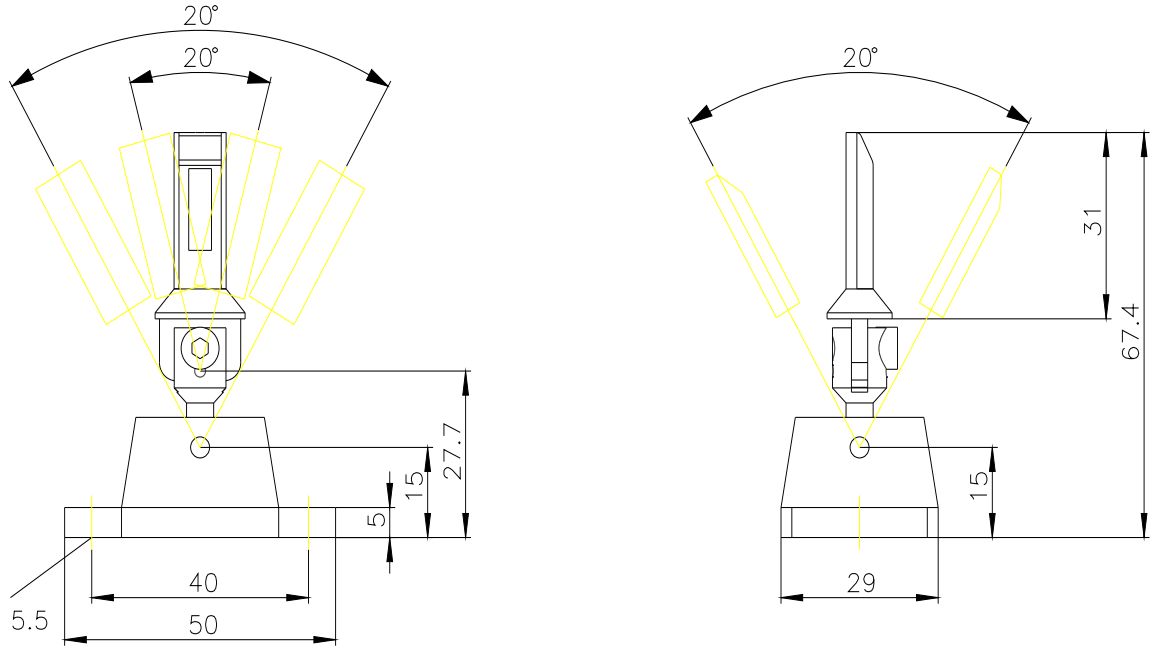
<http://support.automation.siemens.com/WW/CAXorder/default.aspx?lang=en&mlfb=3SE5000-0AV07-1AK2>

Service&Support (Manuals, Certificates, Characteristics, FAQs,...)

<https://support.industry.siemens.com/cs/ww/en/ps/3SE5000-0AV07-1AK2>

Image database (product images, 2D dimension drawings, 3D models, device circuit diagrams, EPLAN macros, ...)

http://www.automation.siemens.com/bilddb/cax_de.aspx?mlfb=3SE5000-0AV07-1AK2&lang=en



last modified:

12/23/2020

Mouser Electronics

Authorized Distributor

Click to View Pricing, Inventory, Delivery & Lifecycle Information:

[Siemens:](#)

[3SE50000AV071AK2](#)