



Pivoting lever drive (Please order lever separately) for position switch 3SE52/3SF12 für 31/50 mm, Switch points according to EN 50047. The switching direction the lever is on left / right or left only or only to the right. Delivery state ist right / left.

product brand name	SIRIUS		
product designation	Part-turn actuator for position switch 3SE52/3SF12		
product type designation	3SE5		
manufacturer's article number	<ul style="list-style-type: none"> of the supplied actuator head for position switches 3SE5000-0AK00		
General technical data			
shock resistance	<ul style="list-style-type: none"> according to IEC 60068-2-27 30g / 11 ms		
vibration resistance	<ul style="list-style-type: none"> according to IEC 60068-2-6 0.35 mm/5g		
material of the enclosure of the switch head	plastic		
reference code according to IEC 81346-2	T		
active principle	mechanical		
Substance Prohibittance (Date)	07/01/2006		
minimum actuating torque in directions of actuation	0.25 N·m		
Ambient conditions			
ambient temperature	<ul style="list-style-type: none"> during operation during storage -25 ... +85 °C -40 ... +90 °C		
explosion protection category for dust	none		
Enclosure			
coating of the enclosure	Other types		
Drive Head			
design of the actuating element	Twist actuator, without lever or rod		
standard-compliant actuator head	EN 50047		
Installation/ mounting/ dimensions			
mounting position	any		
fastening method	lockable plug-in fixing		
design of the interface for safety-related communication	without		
Communication/ Protocol			
design of the interface	without		
Certificates/ approvals			
General Product Approval	Functional Safety/Safety of Machinery	Declaration of Conformity	



[Confirmation](#)



[Type Examination Certificate](#)



Declaration of Con-
formity

Test Certificates

other



[Type Test Certificates/Test Report](#)

[Confirmation](#)

Further information

Siemens has decided to exit the Russian market (see here).

<https://press.siemens.com/global/en/pressrelease/siemens-wind-down-russian-business>

Siemens is working on the renewal of the current EAC certificates.

Please contact your local Siemens office on the status of validity of the EAC certification if you intend to import or offer to supply these products to an EAC relevant market (other than the sanctioned EAEU member states Russia or Belarus).

Information on the packaging

<https://support.industry.siemens.com/cs/ww/en/view/109813875>

Information- and Downloadcenter (Catalogs, Brochures,...)

<https://www.siemens.com/ic10>

Industry Mall (Online ordering system)

<https://mall.industry.siemens.com/mall/en/en/Catalog/product?mlfb=3SE5000-0AK00>

Cax online generator

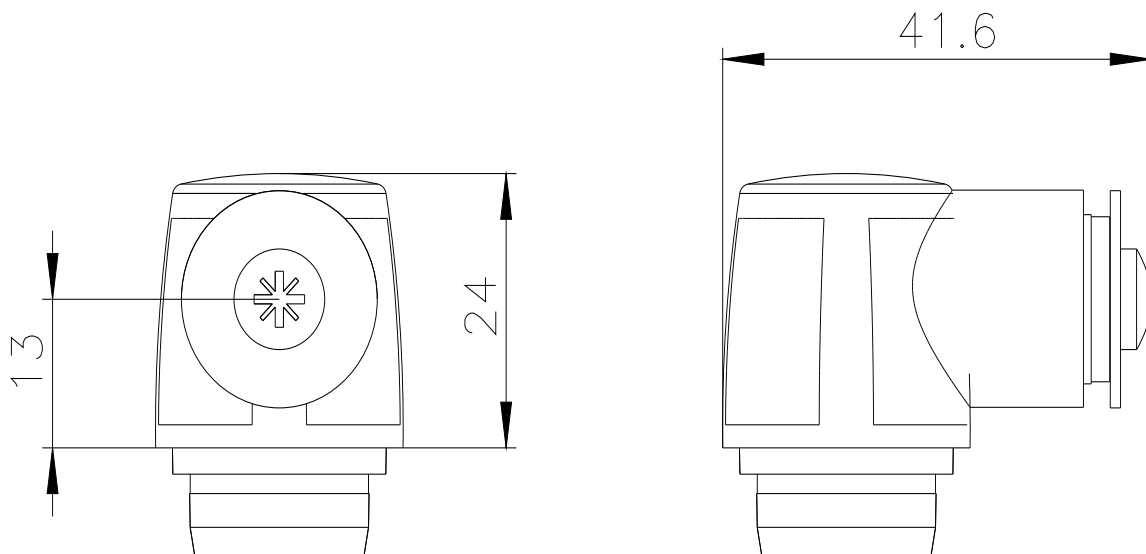
<http://support.automation.siemens.com/WW/CAXorder/default.aspx?lang=en&mlfb=3SE5000-0AK00>

Service&Support (Manuals, Certificates, Characteristics, FAQs,...)

<https://support.industry.siemens.com/cs/ww/en/ps/3SE5000-0AK00>

Image database (product images, 2D dimension drawings, 3D models, device circuit diagrams, EPLAN macros, ...)

http://www.automation.siemens.com/bilddb/cax_de.aspx?mlfb=3SE5000-0AK00&lang=en



last modified:

12/21/2020

Mouser Electronics

Authorized Distributor

Click to View Pricing, Inventory, Delivery & Lifecycle Information:

Siemens:

[3SE50000AK00](#)