



actuator head plastic for position switch 3SE5132 rounded plunger, form B made of plastic according to EN 50041

| | |
|---|---------------------------------------|
| product brand name | SIRIUS |
| product designation | actuator head for position switch |
| product type designation | 3SE5 |
| manufacturer's article number | |
| <ul style="list-style-type: none"> of the supplied actuator head for position switches | 3SE5000-0AC03 |
| General technical data | |
| product function positive opening | Yes |
| shock resistance | |
| <ul style="list-style-type: none"> according to IEC 60068-2-27 | 30g / 11 ms |
| vibration resistance | |
| <ul style="list-style-type: none"> according to IEC 60068-2-6 | 0.35 mm/5g |
| mechanical service life (operating cycles) typical | 15 000 000 |
| material of the enclosure of the switch head | plastic |
| reference code according to IEC 81346-2 | T |
| active principle | mechanical |
| Substance Prohibition (Date) | 07/01/2006 |
| minimum actuating force in directions of actuation | 20 N |
| Ambient conditions | |
| ambient temperature | |
| <ul style="list-style-type: none"> during operation during storage | -25 ... +85 °C -40 ... +90 °C |
| explosion protection category for dust | none |
| Enclosure | |
| coating of the enclosure | Other types |
| Drive Head | |
| design of the actuating element | Rounded plunger, plastic plunger |
| standard-compliant actuator head | EN 50041, design B |
| shape of the switch head | rounded |
| outer diameter of the switch head | 10 mm |
| Installation/ mounting/ dimensions | |
| mounting position | any |
| fastening method | lockable plug-in fixing |
| design of the interface for safety-related communication | without |
| Communication/ Protocol | |
| design of the interface | without |
| Certificates/ approvals | |
| General Product Approval | Functional Safety/Safety of Machinery |



[Confirmation](#)



[KC](#)



[Type Examination Certificate](#)

Declaration of Conformity

Test Certificates

other



[Type Test Certificates/Test Report](#)

[Confirmation](#)

Further information

Siemens has decided to exit the Russian market (see here).

<https://press.siemens.com/global/en/pressrelease/siemens-wind-down-russian-business>

Siemens is working on the renewal of the current EAC certificates.

Please contact your local Siemens office on the status of validity of the EAC certification if you intend to import or offer to supply these products to an EAC relevant market (other than the sanctioned EAEU member states Russia or Belarus).

Information on the packaging

<https://support.industry.siemens.com/cs/ww/en/view/109813875>

Information- and Downloadcenter (Catalogs, Brochures,...)

<https://www.siemens.com/ic10>

Industry Mall (Online ordering system)

<https://mall.industry.siemens.com/mall/en/en/Catalog/product?mlfb=3SE5000-0AC03>

Cax online generator

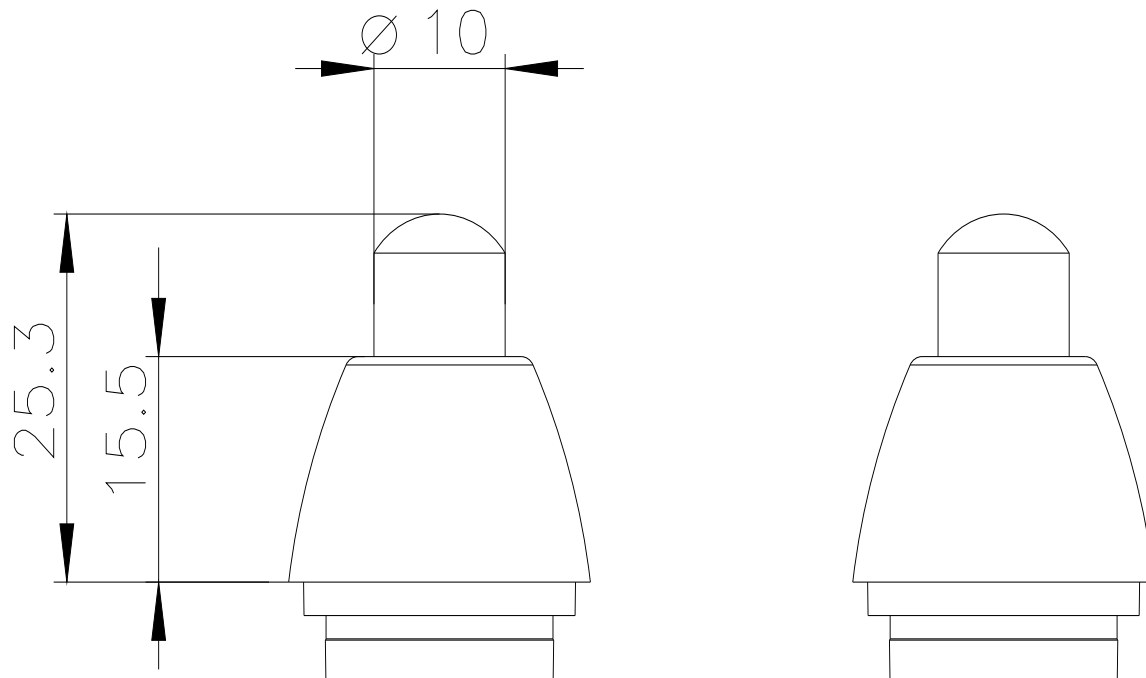
<http://support.automation.siemens.com/WW/CAXorder/default.aspx?lang=en&mlfb=3SE5000-0AC03>

Service&Support (Manuals, Certificates, Characteristics, FAQs,...)

<https://support.industry.siemens.com/cs/ww/en/ps/3SE5000-0AC03>

Image database (product images, 2D dimension drawings, 3D models, device circuit diagrams, EPLAN macros, ...)

http://www.automation.siemens.com/bilddb/cax_de.aspx?mlfb=3SE5000-0AC03&lang=en



last modified:

12/21/2020

Mouser Electronics

Authorized Distributor

Click to View Pricing, Inventory, Delivery & Lifecycle Information:

Siemens:

[3SE50000AC03](#)