



twist lever for position switch 3SE51 Metal lever Form A 27 mm long, Step 9 mm with Stainless steel roller 19 mm

|  |  |
|--|--|
| <b>product brand name</b>  | SIRIUS   |
| <b>product designation</b>   | actuator for part-turn actuator  |
| <b>product type designation</b>  | 3SE5   |
| <b>manufacturer's article number</b>   |  |
| <ul style="list-style-type: none"> <li>of the supplied operating lever</li> </ul>          | <a href="#">3SE5000-0AA02</a>  |
| <b>General technical data</b>  |  |
| <b>product function positive opening</b>   | Yes  |
| <b>shock resistance</b>  |  |
| <ul style="list-style-type: none"> <li>according to IEC 60068-2-27</li> </ul>              | 30g / 11 ms  |
| <b>mechanical service life (operating cycles) typical</b>                                  | 15 000 000   |
| <b>reference code according to IEC 81346-2</b>   | T  |
| <b>active principle</b>  | mechanical   |
| <b>Substance Prohibition (Date)</b>  | 07/01/2006   |
| <b>Ambient conditions</b>  |  |
| <b>ambient temperature</b>   |  |
| <ul style="list-style-type: none"> <li>during operation</li> <li>during storage</li> </ul> | -25 ... +85 °C<br>-40 ... +90 °C   |
| <b>explosion protection category for dust</b>  | none   |
| <b>Enclosure</b>   |  |
| <b>coating of the enclosure</b>  | Other types  |
| <b>Drive Head</b>  |  |
| <b>design of the actuating element</b>   | Twist lever, metal lever, 27 mm long, step 9 mm, high-grade steel roller 19 mm |
| <b>standard-compliant actuator head</b>  | EN 50041, design A   |
| <b>shape of the switch head</b>  | roller   |
| <b>outer diameter of the switch head</b>   | 19 mm  |
| <b>Installation/ mounting/ dimensions</b>  |  |
| <b>mounting position</b>   | any  |
| <b>fastening method</b>  | screw fixing   |
| <b>design of the interface for safety-related communication</b>                            | without  |
| <b>Communication/ Protocol</b>   |  |
| <b>design of the interface</b>   | without  |
| <b>Approvals Certificates</b>  |  |
| <b>General Product Approval</b>  |  |



Confirmation



EG-Konf.



UR

KC

|                          |                   |                   |       |             |
|--------------------------|-------------------|-------------------|-------|-------------|
| General Product Approval | Functional Safety | Test Certificates | other | Environment |
|--------------------------|-------------------|-------------------|-------|-------------|



[Type Test Certificates/Test Report](#)

[Confirmation](#)

[Environmental Confirmations](#)

**Further information**

Information on the packaging

<https://support.industry.siemens.com/cs/ww/en/view/109813875>

Information- and Downloadcenter (Catalogs, Brochures,...)

<https://www.siemens.com/ic10>

Industry Mall (Online ordering system)

<https://mall.industry.siemens.com/mall/en/en/Catalog/product?mlfb=3SE5000-0AA02>

Cax online generator

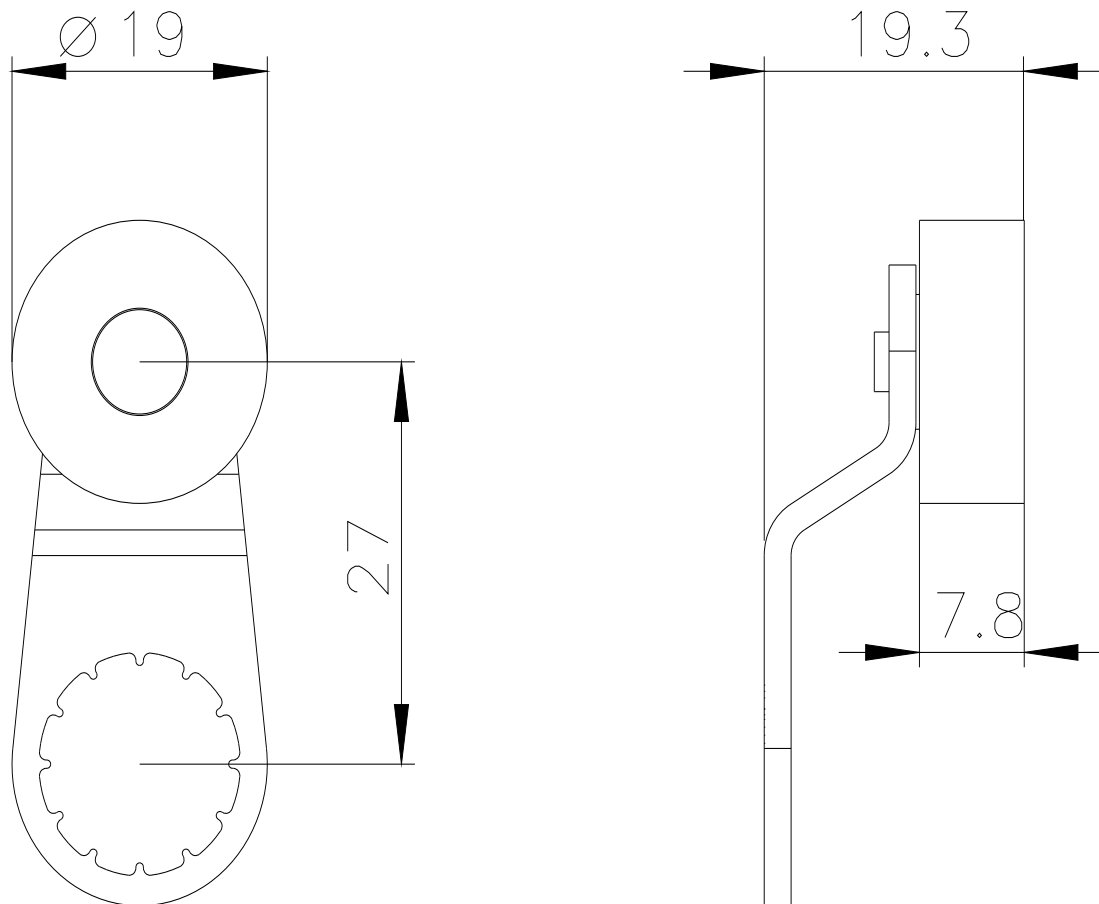
<http://support.automation.siemens.com/WW/CAXorder/default.aspx?lang=en&mlfb=3SE5000-0AA02>

Service&Support (Manuals, Certificates, Characteristics, FAQs,...)

<https://support.industry.siemens.com/cs/ww/en/ps/3SE5000-0AA02>

Image database (product images, 2D dimension drawings, 3D models, device circuit diagrams, EPLAN macros, ...)

[http://www.automation.siemens.com/bilddb/cax\\_de.aspx?mlfb=3SE5000-0AA02&lang=en](http://www.automation.siemens.com/bilddb/cax_de.aspx?mlfb=3SE5000-0AA02&lang=en)



last modified:

12/21/2020

# Mouser Electronics

Authorized Distributor

Click to View Pricing, Inventory, Delivery & Lifecycle Information:

[Siemens:](#)

[3SE5000AA02](#)