



safety position switch with separate actuator plastic, short enclosure, 3x(M20x1.5), lateral and face-end operation, slow-action contacts 1 NC pull-out force 30 N, supplied without actuator

product brand name	SIRIUS
product designation	safety position switch
product type designation	3SE22
suitability for use safety switch	Yes
General technical data	
insulation voltage rated value	500 V
surge voltage resistance rated value	6 kV
protection class IP	IP67
mechanical service life (operating cycles) typical	1 000 000
thermal current	10 A
reference code according to IEC 81346-2	B
active principle	mechanical
Substance Prohibitance (Date)	07/01/2006
length of the sensor	75 mm
width of the sensor	52 mm
Ambient conditions	
ambient temperature	
• during operation	-30 ... +80 °C
• during storage	-30 ... +80 °C
explosion protection category for dust	none
design of the switching contact	mechanical
operating frequency rated value	60 ... 50 Hz
number of NC contacts for auxiliary contacts	0
number of NO contacts for auxiliary contacts	3
operational current at AC-15	
• at 230 V rated value	4 A
operational current at DC-13	
• at 24 V rated value	4 A
Enclosure	
design of the housing	wide
material of the enclosure	glass fiber reinforced thermoplast
coating of the enclosure	Other types
design of the housing according to standard	No
Drive Head	
design of the actuating element	without
design of the switching function	positive opening
circuit principle	slow-action contacts
number of switching contacts safety-related	3
cable entry type	3x (M20 x 1.5)
Installation/ mounting/ dimensions	

mounting position	any	
fastening method	screw fixing	
Connections/ Terminals		
type of electrical connection	screw-type terminals	
type of connectable conductor cross-sections		
• solid	2x (0.75 ... 2.5 mm ²)	
• finely stranded with core end processing	2x (0.75 ... 2.5 mm ²)	
design of the interface for safety-related communication	without	
Communication/ Protocol		
design of the interface	without	
Certificates/ approvals		
General Product Approval	Test Certificates	Marine / Shipping



[Confirmation](#)



[Miscellaneous](#)



Marine / Shipping	other
-------------------	-------



[Confirmation](#)

Further information

Siemens has decided to exit the Russian market (see here).

<https://press.siemens.com/global/en/pressrelease/siemens-wind-down-russian-business>

Siemens is working on the renewal of the current EAC certificates.

Please contact your local Siemens office on the status of validity of the EAC certification if you intend to import or offer to supply these products to an EAC relevant market (other than the sanctioned EAEU member states Russia or Belarus).

Information on the packaging

<https://support.industry.siemens.com/cs/ww/en/view/109813875>

Information- and Downloadcenter (Catalogs, Brochures,...)

<https://www.siemens.com/ic10>

Industry Mall (Online ordering system)

<https://mall.industry.siemens.com/mall/en/en/Catalog/product?mlfb=3SE2257-6XX>

Cax online generator

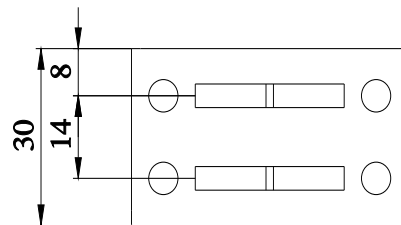
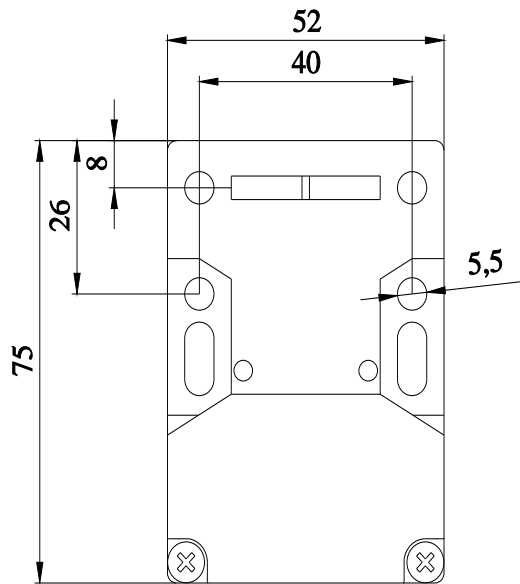
<http://support.automation.siemens.com/WW/CAXorder/default.aspx?lang=en&mlfb=3SE2257-6XX>

Service&Support (Manuals, Certificates, Characteristics, FAQs,...)

<https://support.industry.siemens.com/cs/ww/en/ps/3SE2257-6XX>

Image database (product images, 2D dimension drawings, 3D models, device circuit diagrams, EPLAN macros, ...)

http://www.automation.siemens.com/bilddb/cax_de.aspx?mlfb=3SE2257-6XX&lang=en



last modified:

1/26/2022 

Mouser Electronics

Authorized Distributor

Click to View Pricing, Inventory, Delivery & Lifecycle Information:

[Siemens:](#)

[3SE22576XX](#)