



SIRIUS soft starter 200-600 V 93 A, 24 V AC/DC spring-type terminals Thermistor input

<b>product brand name</b>	SIRIUS
<b>product category</b>	Hybrid switching devices
<b>product designation</b>	Soft starter
<b>product type designation</b>	3RW52
<b>manufacturer's article number</b>	<ul style="list-style-type: none"> <li>• of standard HMI module usable <a href="#">3RW5980-0HS00</a></li> <li>• of high feature HMI module usable <a href="#">3RW5980-0HF00</a></li> <li>• of communication module PROFINET standard usable <a href="#">3RW5980-0CS00</a></li> <li>• of communication module PROFIBUS usable <a href="#">3RW5980-0CP00</a></li> <li>• of communication module Modbus TCP usable <a href="#">3RW5980-0CT00</a></li> <li>• of communication module Modbus RTU usable <a href="#">3RW5980-0CR00</a></li> <li>• of communication module Ethernet/IP <a href="#">3RW5980-0CE00</a></li> <li>• of circuit breaker usable at 400 V <a href="#">3VA2216-7MN32-0AA0; Type of coordination 1, Iq = 15 kA, CLASS 10</a></li> <li>• of circuit breaker usable at 500 V <a href="#">3VA2216-7MN32-0AA0; Type of coordination 1, Iq = 10 kA, CLASS 10</a></li> <li>• of circuit breaker usable at 400 V at inside-delta circuit <a href="#">3VA2220-7MN32-0AA0; Type of coordination 1, Iq = 15 kA, CLASS 10</a></li> <li>• of circuit breaker usable at 500 V at inside-delta circuit <a href="#">3VA2220-7MN32-0AA0; Type of coordination 1, Iq = 10 kA, CLASS 10</a></li> <li>• of the gG fuse usable up to 690 V <a href="#">3NA3136-6; Type of coordination 1, Iq = 65 kA</a></li> <li>• of the gG fuse usable at inside-delta circuit up to 500 V <a href="#">3NA3136-6; Type of coordination 1, Iq = 65 kA</a></li> <li>• of full range R fuse link for semiconductor protection usable up to 690 V <a href="#">3NE1224-0; Type of coordination 2, Iq = 65 kA</a></li> <li>• of back-up R fuse link for semiconductor protection usable up to 690 V <a href="#">3NE4124; Type of coordination 2, Iq = 65 kA</a></li> </ul>
<b>General technical data</b>	
<b>starting voltage [%]</b>	30 ... 100 %
<b>stopping voltage [%]</b>	50 %; non-adjustable
<b>start-up ramp time of soft starter</b>	0 ... 20 s
<b>current limiting value [%] adjustable</b>	130 ... 700 %
<b>certificate of suitability</b>	
• CE marking	Yes
• UL approval	Yes
• CSA approval	Yes
<b>product component</b>	
• HMI-High Feature	No
• is supported HMI-Standard	Yes
• is supported HMI-High Feature	Yes
<b>product feature integrated bypass contact system</b>	Yes
<b>number of controlled phases</b>	3
<b>trip class</b>	CLASS 10A (default) / 10E / 20E; acc. to IEC 60947-4-2
<b>buffering time in the event of power failure</b>	
• for main current circuit	100 ms
• for control circuit	100 ms

<b>insulation voltage rated value</b>	600 V
<b>degree of pollution</b>	3, acc. to IEC 60947-4-2
<b>impulse voltage rated value</b>	6 kV
<b>blocking voltage of the thyristor maximum</b>	1 800 V
<b>service factor</b>	1
<b>surge voltage resistance rated value</b>	6 kV
<b>maximum permissible voltage for protective separation</b>	
• between main and auxiliary circuit	600 V
<b>shock resistance</b>	15 g / 11 ms, from 12 g / 11 ms with potential contact lifting
<b>vibration resistance</b>	15 mm to 6 Hz; 2g to 500 Hz
utilization category according to IEC 60947-4-2	AC 53a
<b>reference code according to IEC 81346-2</b>	Q
<b>Substance Prohibitance (Date)</b>	02/15/2018

<b>product function</b>	
• ramp-up (soft starting)	Yes
• ramp-down (soft stop)	Yes
• Soft Torque	Yes
• adjustable current limitation	Yes
• pump ramp down	Yes
• intrinsic device protection	Yes
• motor overload protection	Yes; Full motor protection (thermistor motor protection and electronic motor overload protection)
• evaluation of thermistor motor protection	Yes; Type A PTC or Klixon / Thermoclick
• inside-delta circuit	Yes
• auto-RESET	Yes
• manual RESET	Yes
• remote reset	Yes; By turning off the control supply voltage
• communication function	Yes
• operating measured value display	Yes; Only in conjunction with special accessories
• error logbook	Yes; Only in conjunction with special accessories
• via software parameterizable	No
• via software configurable	Yes
• <b>PROFInergy</b>	Yes; in connection with the PROFINET Standard communication module
• <b>firmware update</b>	Yes
• <b>removable terminal for control circuit</b>	Yes
• torque control	No
• analog output	No

**Power Electronics**

<b>operational current</b>	
• at 40 °C rated value	93 A
• at 50 °C rated value	82.5 A
• at 60 °C rated value	75.5 A
<b>operational current at inside-delta circuit</b>	
• at 40 °C rated value	161 A
• at 50 °C rated value	143 A
• at 60 °C rated value	131 A
<b>operating voltage</b>	
• rated value	200 ... 600 V
• at inside-delta circuit rated value	200 ... 600 V
<b>relative negative tolerance of the operating voltage</b>	-15 %
<b>relative positive tolerance of the operating voltage</b>	10 %
<b>relative negative tolerance of the operating voltage at inside-delta circuit</b>	-15 %
<b>relative positive tolerance of the operating voltage at inside-delta circuit</b>	10 %
<b>operating power for 3-phase motors</b>	
• at 230 V at 40 °C rated value	22 kW
• at 230 V at inside-delta circuit at 40 °C rated value	45 kW
• at 400 V at 40 °C rated value	45 kW
• at 400 V at inside-delta circuit at 40 °C rated value	90 kW
• at 500 V at 40 °C rated value	55 kW
• at 500 V at inside-delta circuit at 40 °C rated value	110 kW

<b>Operating frequency 1 rated value</b>	50 Hz
<b>Operating frequency 2 rated value</b>	60 Hz
<b>relative negative tolerance of the operating frequency</b>	-10 %
<b>relative positive tolerance of the operating frequency</b>	10 %
<b>adjustable motor current</b>	
• at rotary coding switch on switch position 1	40.5 A
• at rotary coding switch on switch position 2	44 A
• at rotary coding switch on switch position 3	47.5 A
• at rotary coding switch on switch position 4	51 A
• at rotary coding switch on switch position 5	54.5 A
• at rotary coding switch on switch position 6	58 A
• at rotary coding switch on switch position 7	61.5 A
• at rotary coding switch on switch position 8	65 A
• at rotary coding switch on switch position 9	68.5 A
• at rotary coding switch on switch position 10	72 A
• at rotary coding switch on switch position 11	75.5 A
• at rotary coding switch on switch position 12	79 A
• at rotary coding switch on switch position 13	82.5 A
• at rotary coding switch on switch position 14	86 A
• at rotary coding switch on switch position 15	89.5 A
• at rotary coding switch on switch position 16	93 A
• minimum	40.5 A
<b>adjustable motor current</b>	
• for inside-delta circuit at rotary coding switch on switch position 1	70.1 A
• for inside-delta circuit at rotary coding switch on switch position 2	76.2 A
• for inside-delta circuit at rotary coding switch on switch position 3	82.3 A
• for inside-delta circuit at rotary coding switch on switch position 4	88.3 A
• for inside-delta circuit at rotary coding switch on switch position 5	94.4 A
• for inside-delta circuit at rotary coding switch on switch position 6	100 A
• for inside-delta circuit at rotary coding switch on switch position 7	107 A
• for inside-delta circuit at rotary coding switch on switch position 8	113 A
• for inside-delta circuit at rotary coding switch on switch position 9	119 A
• for inside-delta circuit at rotary coding switch on switch position 10	125 A
• for inside-delta circuit at rotary coding switch on switch position 11	131 A
• for inside-delta circuit at rotary coding switch on switch position 12	137 A
• for inside-delta circuit at rotary coding switch on switch position 13	143 A
• for inside-delta circuit at rotary coding switch on switch position 14	149 A
• for inside-delta circuit at rotary coding switch on switch position 15	155 A
• for inside-delta circuit at rotary coding switch on switch position 16	161 A
• at inside-delta circuit minimum	70.1 A
<b>minimum load [%]</b>	15 %; Relative to smallest settable I <sub>e</sub>
<b>power loss [W] for rated value of the current at AC</b>	
• at 40 °C after startup	40 W
• at 50 °C after startup	37 W
• at 60 °C after startup	35 W
<b>power loss [W] at AC at current limitation 350 %</b>	
• at 40 °C during startup	1 270 W
• at 50 °C during startup	1 077 W
• at 60 °C during startup	959 W

Control circuit/ Control	
<b>type of voltage of the control supply voltage</b>	AC/DC
<b>control supply voltage at AC</b>	
• at 50 Hz rated value	24 V
• at 60 Hz rated value	24 V
<b>relative negative tolerance of the control supply voltage at AC at 50 Hz</b>	-20 %
<b>relative positive tolerance of the control supply voltage at AC at 50 Hz</b>	20 %
<b>relative negative tolerance of the control supply voltage at AC at 60 Hz</b>	-20 %
<b>relative positive tolerance of the control supply voltage at AC at 60 Hz</b>	20 %
<b>control supply voltage frequency</b>	50 ... 60 Hz
<b>relative negative tolerance of the control supply voltage frequency</b>	-10 %
<b>relative positive tolerance of the control supply voltage frequency</b>	10 %
<b>control supply voltage</b>	
• at DC rated value	24 V
<b>relative negative tolerance of the control supply voltage at DC</b>	-20 %
<b>relative positive tolerance of the control supply voltage at DC</b>	20 %
<b>control supply current in standby mode rated value</b>	160 mA
<b>holding current in bypass operation rated value</b>	380 mA
<b>inrush current by closing the bypass contacts maximum</b>	7.6 A
inrush current peak at application of control supply voltage maximum	3.3 A
duration of inrush current peak at application of control supply voltage	12.1 ms
<b>design of the overvoltage protection</b>	Varistor
<b>design of short-circuit protection for control circuit</b>	4 A gG fuse (I <sub>cu</sub> =1 kA), 6 A quick-acting fuse (I <sub>cu</sub> =1 kA), C1 miniature circuit breaker (I <sub>cu</sub> = 600 A), C6 miniature circuit breaker (I <sub>cu</sub> = 300 A); Is not part of scope of supply
Inputs/ Outputs	
<b>number of digital inputs</b>	1
<b>number of digital outputs</b>	3
• not parameterizable	2
<b>digital output version</b>	2 normally-open contacts (NO) / 1 changeover contact (CO)
<b>number of analog outputs</b>	0
<b>switching capacity current of the relay outputs</b>	
• at AC-15 at 250 V rated value	3 A
• at DC-13 at 24 V rated value	1 A
Installation/ mounting/ dimensions	
<b>mounting position</b>	with vertical mounting surface +/-90° rotatable, with vertical mounting surface +/- 22.5° tiltable to the front and back
<b>fastening method</b>	screw fixing
<b>height</b>	306 mm
<b>width</b>	185 mm
<b>depth</b>	203 mm
required spacing with side-by-side mounting	
• forwards	10 mm
• backwards	0 mm
• upwards	100 mm
• downwards	75 mm
• at the side	5 mm
<b>weight without packaging</b>	6.9 kg
Connections/ Terminals	
<b>type of electrical connection</b>	
• for main current circuit	box terminal
• for control circuit	spring-loaded terminals
<b>width of connection bar maximum</b>	25 mm
<b>wire length for thermistor connection</b>	

<ul style="list-style-type: none"> <li>with conductor cross-section = 0.5 mm<sup>2</sup> maximum</li> <li>with conductor cross-section = 1.5 mm<sup>2</sup> maximum</li> <li>with conductor cross-section = 2.5 mm<sup>2</sup> maximum</li> </ul>	<p>50 m</p> <p>150 m</p> <p>250 m</p>
<b>type of connectable conductor cross-sections</b> <ul style="list-style-type: none"> <li>for main contacts for box terminal using the front clamping point solid</li> <li>for main contacts for box terminal using the front clamping point finely stranded with core end processing</li> <li>for main contacts for box terminal using the front clamping point stranded</li> <li>for main contacts for box terminal using the back clamping point solid</li> <li>for AWG cables for main contacts for box terminal using the back clamping point</li> <li>for main contacts for box terminal using both clamping points solid</li> <li>for main contacts for box terminal using both clamping points finely stranded with core end processing</li> <li>for main contacts for box terminal using both clamping points stranded</li> <li>for main contacts for box terminal using the back clamping point finely stranded with core end processing</li> <li>for main contacts for box terminal using the back clamping point stranded</li> </ul>	<p>1x (2.5 ... 16 mm<sup>2</sup>)</p> <p>1x (2.5 ... 50 mm<sup>2</sup>)</p> <p>1x (10 ... 70 mm<sup>2</sup>)</p> <p>1x (2.5 ... 16 mm<sup>2</sup>)</p> <p>1x (10 ... 2/0)</p> <p>2x (2.5 ... 16 mm<sup>2</sup>)</p> <p>2x (2.5 ... 35 mm<sup>2</sup>)</p> <p>2x (6 ... 16 mm<sup>2</sup>), 2x (10 ... 50 mm<sup>2</sup>)</p> <p>1x (2.5 ... 50 mm<sup>2</sup>)</p> <p>1x (10 ... 70 mm<sup>2</sup>)</p>
<b>type of connectable conductor cross-sections</b> <ul style="list-style-type: none"> <li>for control circuit solid</li> <li>for control circuit finely stranded with core end processing</li> <li>for AWG cables for control circuit solid</li> <li>for AWG cables for control circuit finely stranded with core end processing</li> </ul>	<p>2x (0.25 ... 1.5 mm<sup>2</sup>)</p> <p>2x (0.25 ... 1.5 mm<sup>2</sup>)</p> <p>2x (24 ... 16)</p> <p>2x (24 ... 16)</p>
<b>wire length</b> <ul style="list-style-type: none"> <li>between soft starter and motor maximum</li> <li>at the digital inputs at AC maximum</li> <li>at the digital inputs at DC maximum</li> </ul>	<p>800 m</p> <p>100 m</p> <p>1 000 m</p>
<b>tightening torque</b> <ul style="list-style-type: none"> <li>for main contacts with screw-type terminals</li> <li>for auxiliary and control contacts with screw-type terminals</li> </ul>	<p>4.5 ... 6 N·m</p> <p>0.8 ... 1.2 N·m</p>
<b>tightening torque [lbf·in]</b> <ul style="list-style-type: none"> <li>for main contacts with screw-type terminals</li> <li>for auxiliary and control contacts with screw-type terminals</li> </ul>	<p>40 ... 53 lbf·in</p> <p>7 ... 10.3 lbf·in</p>
<b>Ambient conditions</b>	
installation altitude at height above sea level maximum	5 000 m; Derating as of 1000 m, see catalog
<b>ambient temperature</b> <ul style="list-style-type: none"> <li>during operation</li> <li>during storage and transport</li> </ul>	<p>-25 ... +60 °C; Please observe derating at temperatures of 40 °C or above</p> <p>-40 ... +80 °C</p>
<b>environmental category</b> <ul style="list-style-type: none"> <li>during operation according to IEC 60721</li> <li>during storage according to IEC 60721</li> <li>during transport according to IEC 60721</li> </ul>	<p>3K6 (no ice formation, only occasional condensation), 3C3 (no salt mist), 3S2 (sand must not get into the devices), 3M6</p> <p>1K6 (only occasional condensation), 1C2 (no salt mist), 1S2 (sand must not get inside the devices), 1M4</p> <p>2K2, 2C1, 2S1, 2M2 (max. fall height 0.3 m)</p>
<b>EMC emitted interference</b>	acc. to IEC 60947-4-2: Class A
<b>Communication/ Protocol</b>	
<b>communication module is supported</b> <ul style="list-style-type: none"> <li>PROFINET standard</li> <li>EtherNet/IP</li> <li>Modbus RTU</li> <li>Modbus TCP</li> <li>PROFIBUS</li> </ul>	<p>Yes</p> <p>Yes</p> <p>Yes</p> <p>Yes</p> <p>Yes</p>
<b>UL/CSA ratings</b>	
<b>manufacturer's article number</b> <ul style="list-style-type: none"> <li>of circuit breaker <ul style="list-style-type: none"> <li>— usable for Standard Faults at 460/480 V according</li> </ul> </li> </ul>	Siemens type: 3VA51, max. 125 A; I <sub>q</sub> = 10 kA

to UL

- usable for High Faults at 460/480 V according to UL
- usable for Standard Faults at 460/480 V at inside-delta circuit according to UL
- usable for High Faults at 460/480 V at inside-delta circuit according to UL
- usable for Standard Faults at 575/600 V according to UL
- usable for Standard Faults at 575/600 V at inside-delta circuit according to UL

• of the fuse

- usable for Standard Faults up to 575/600 V according to UL
- usable for High Faults up to 575/600 V according to UL
- usable for Standard Faults at inside-delta circuit up to 575/600 V according to UL
- usable for High Faults at inside-delta circuit up to 575/600 V according to UL

Siemens type: 3VA51, max. 125 A; I<sub>q</sub> max = 65 kA  
Siemens type: 3VA51, max. 125 A; I<sub>q</sub> = 10 kA  
  
Siemens type: 3VA51, max. 125 A; I<sub>q</sub> max = 65 kA  
  
Siemens type: 3VA51, max. 125 A; I<sub>q</sub> = 10 kA  
  
Siemens type: 3VA51, max. 125 A; I<sub>q</sub> = 10 kA

Type: Class RK5 / K5, max. 300 A; I<sub>q</sub> = 10 kA  
  
Type: Class J / L, max. 250 A; I<sub>q</sub> = 100 kA  
  
Type: Class RK5 / K5, max. 300 A; I<sub>q</sub> = 10 kA  
  
Type: Class J / L, max. 250 A; I<sub>q</sub> = 100 kA

operating power [hp] for 3-phase motors

- at 200/208 V at 50 °C rated value 25 hp
- at 220/230 V at 50 °C rated value 30 hp
- at 460/480 V at 50 °C rated value 60 hp
- at 575/600 V at 50 °C rated value 75 hp
- at 200/208 V at inside-delta circuit at 50 °C rated value 40 hp
- at 220/230 V at inside-delta circuit at 50 °C rated value 50 hp
- at 460/480 V at inside-delta circuit at 50 °C rated value 100 hp
- at 575/600 V at inside-delta circuit at 50 °C rated value 125 hp

contact rating of auxiliary contacts according to UL

R300-B300

Safety related data

protection class IP on the front according to IEC 60529	IP00; IP20 with cover
touch protection on the front according to IEC 60529	finger-safe, for vertical contact from the front with cover
electromagnetic compatibility	in accordance with IEC 60947-4-2

Certificates/ approvals

General Product Approval	EMC
--------------------------	-----



[Confirmation](#)



Declaration of Conformity

Test Certificates

Marine / Shipping



[Type Test Certificates/Test Report](#)



Marine / Shipping

other



[Confirmation](#)

Further information

Siemens has decided to exit the Russian market (see here).  
<https://press.siemens.com/global/en/pressrelease/siemens-wind-down-russian-business>

Siemens is working on the renewal of the current EAC certificates.

Please contact your local Siemens office on the status of validity of the EAC certification if you intend to import or offer to supply these products to an EAC relevant market (other than the sanctioned EAEU member states Russia or Belarus).

Information on the packaging

<https://support.industry.siemens.com/cs/ww/en/view/109813875>

Information- and Downloadcenter (Catalogs, Brochures,...)

<https://www.siemens.com/ic10>

Industry Mall (Online ordering system)

<https://mall.industry.siemens.com/mall/en/en/Catalog/product?mlfb=3RW5227-3TC05>

Cax online generator

<http://support.automation.siemens.com/WW/CAXorder/default.aspx?lang=en&mlfb=3RW5227-3TC05>

Service&Support (Manuals, Certificates, Characteristics, FAQs,...)

<https://support.industry.siemens.com/cs/ww/en/ps/3RW5227-3TC05>

Image database (product images, 2D dimension drawings, 3D models, device circuit diagrams, EPLAN macros, ...)

[http://www.automation.siemens.com/bilddb/cax\\_de.aspx?mlfb=3RW5227-3TC05&lang=en](http://www.automation.siemens.com/bilddb/cax_de.aspx?mlfb=3RW5227-3TC05&lang=en)

Characteristic: Tripping characteristics, I<sup>t</sup>, Let-through current

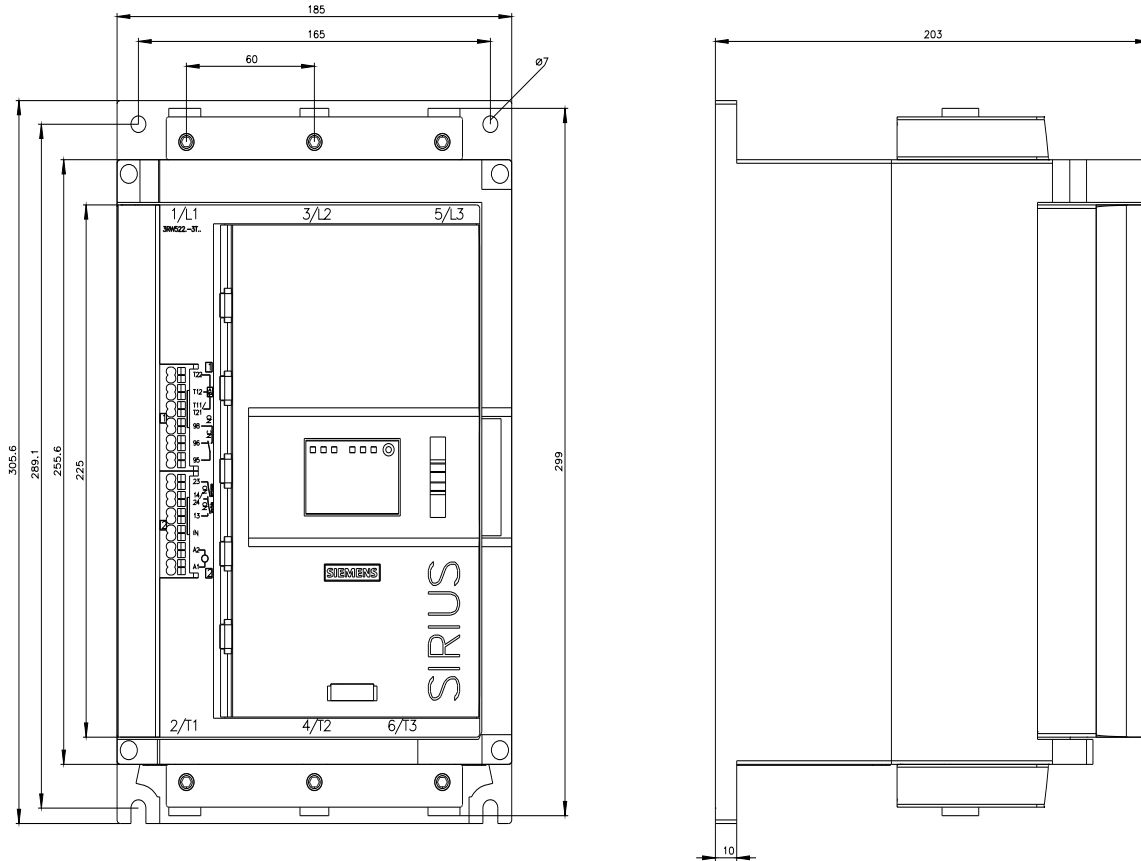
<https://support.industry.siemens.com/cs/ww/en/ps/3RW5227-3TC05/char>

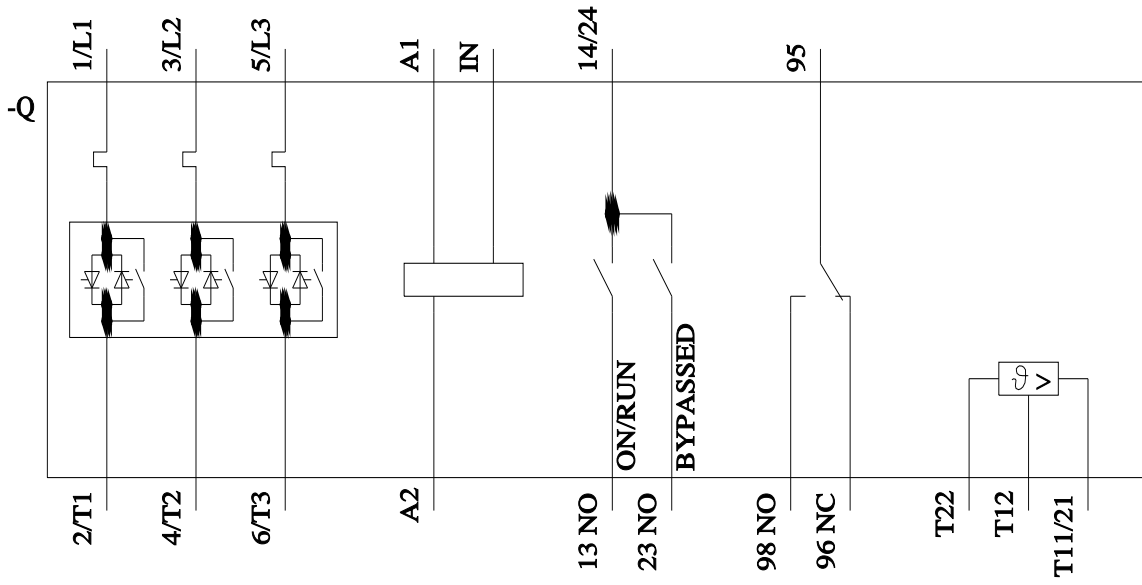
Characteristic: Installation altitude

<http://www.automation.siemens.com/bilddb/index.aspx?view=Search&mlfb=3RW5227-3TC05&objecttype=14&gridview=view1>

Simulation Tool for Soft Starters (STS)

<https://support.industry.siemens.com/cs/ww/en/view/101494917>





last modified:

1/14/2023 





# Mouser Electronics

Authorized Distributor

Click to View Pricing, Inventory, Delivery & Lifecycle Information:

Siemens:

[3RW52273TC05](#)