





Molded-plastic enclosure for surface mounting Degree of protection IP55 with N and PE terminal 54 mm with metric cable gland. No UL/CSA approval

Figure similar

product designation	ISO surface-mounted housing
design of the product	Assembly
General technical data	
product function EMERGENCY OFF function	No
protection class IP of the enclosure	IP55
Substance Prohibitance (Date)	07/01/2006
Enclosure	
material of the enclosure	plastic
Installation/ mounting/ dimensions	
height	155 mm
width	85 mm
depth	89 mm


Approvals Certificates

General Product Approval	Declaration of Conformity	Test Certificates
Confirmation 		 EG-Konf.
		Special Test Certificate Type Test Certificates/Test Report

Marine / Shipping **other**

 ABS	 BUREAU VERITAS	 PRS	 RMRS	Confirmation	Miscellaneous
--	---	--	---	------------------------------	-------------------------------

other **Railway**

 VDE	Special Test Certificate
--	--

Further information

Siemens has decided to exit the Russian market (see here).
<https://press.siemens.com/global/en/pressrelease/siemens-wind-down-russian-business>
 Siemens is working on the renewal of the current EAC certificates.
 Please contact your local Siemens office on the status of validity of the EAC certification if you intend to import or offer to supply these products to an EAC relevant market (other than the sanctioned EAEU member states Russia or Belarus).

Information on the packaging

<https://support.industry.siemens.com/cs/ww/en/view/109813875>

Information- and Downloadcenter (Catalogs, Brochures,...)

<https://www.siemens.com/ic10>

Industry Mall (Online ordering system)

<https://mall.industry.siemens.com/mall/en/en/Catalog/product?mlfb=3RV1913-1CA00>

Cax online generator

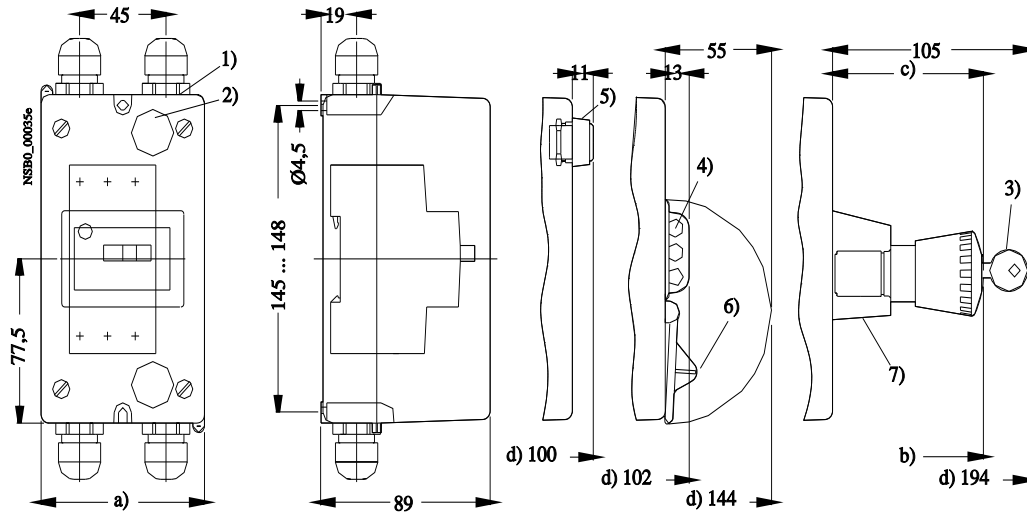
<http://support.automation.siemens.com/WW/CAXorder/default.aspx?lang=en&mlfb=3RV1913-1CA00>

Service&Support (Manuals, Certificates, Characteristics, FAQs,...)

<https://support.industry.siemens.com/cs/ww/en/ps/3RV1913-1CA00>

Image database (product images, 2D dimension drawings, 3D models, device circuit diagrams, EPLAN macros, ...)

http://www.automation.siemens.com/bilddb/cax_de.aspx?mlfb=3RV1913-1CA00&lang=en



- 1) Knock-outs for M25 cable glands.
- 2) Knock-outs for rear cable entry M20.
- 3) With safety lock.
- 4) Max. shackle diameter for padlock 8 mm.
- 5) 3RV19 03-5 indicator light.
- 6) 3RV19 13-6B locking device.
- 7) 3RV19 13-7 EMERGENCY-STOP mushroom button.

- a) 3RV19 13-1CA00: 85 mm,
3RV19 13-1DA00: 105 mm.
- b) With EMERGENCY-STOP mushroom button:
- 3RV19 13-7D: 153 mm,
- 3RV19 13-7E: 173 mm.
Dimensions refer to mounting surface.
- b) With EMERGENCY-STOP mushroom button:
- 3RV19 13-7D: 64 mm,
- 3RV19 13-7E: 84 mm.
- d) Dimensions refer to mounting surface.

last modified:

12/23/2020

Mouser Electronics

Authorized Distributor

Click to View Pricing, Inventory, Delivery & Lifecycle Information:

Siemens:

[3RV19131CA00](#)